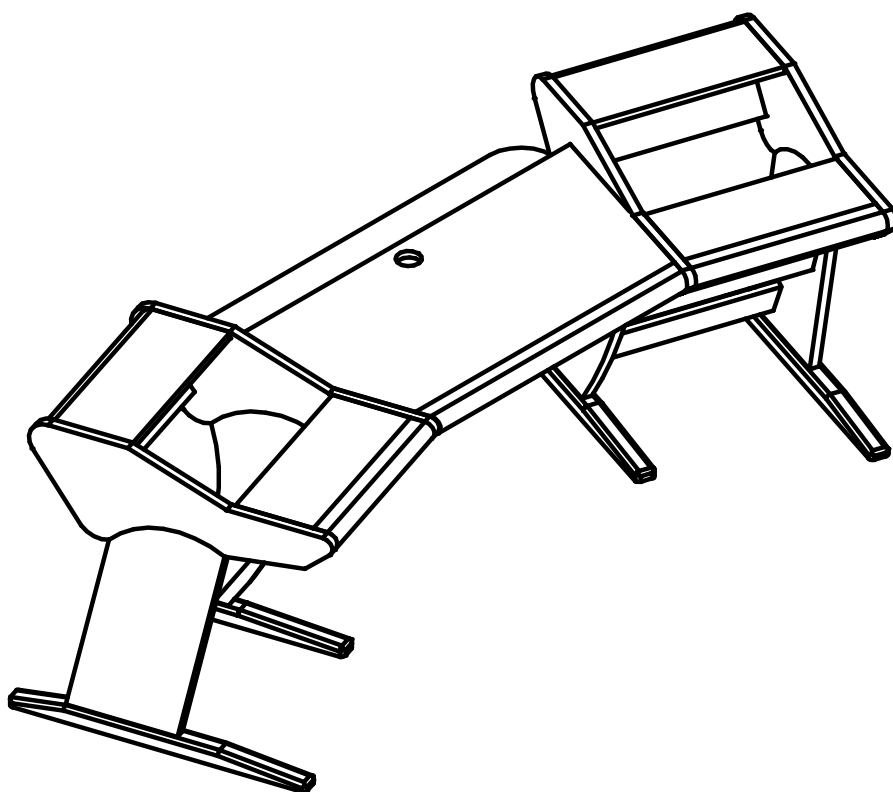


# Zaor<sup>®</sup>

## BUDGET CUSTOM DESIGN



## Onda Assembly Manual

### Assembly Manual

Thank you for choosing a piece of Zaor studio furniture,  
which will hopefully make your life easier, more ergonomic and improve the looks of your workspace.

Before you can enjoy the comfort of your new acquisition you need to assemble it.

We have tried to give you as much detail as needed and as little as possible.

Should you run into any difficulty with this assembly you can get in touch with us via  
[sales@zaorstudiofurniture.com](mailto:sales@zaorstudiofurniture.com) to set up a Skype session or phone call.

Here is a general instruction on how to use the furniture assembly kits:

- 1) Insert and screw in the system bolt(s) into the socket(s) already present on the panel(s)
- 2) Tighten ever so lightly, if using a screwdriver toward the end, do not turn more than 30°!
- 3) Assemble with the connecting panel, aligning the bolts with the round holes in the latter
- 4) Insert the eccentric connector(s) into the round hole(s) and tighten clockwise with a flat screwdriver or a 4mm Allen key (about 90°)



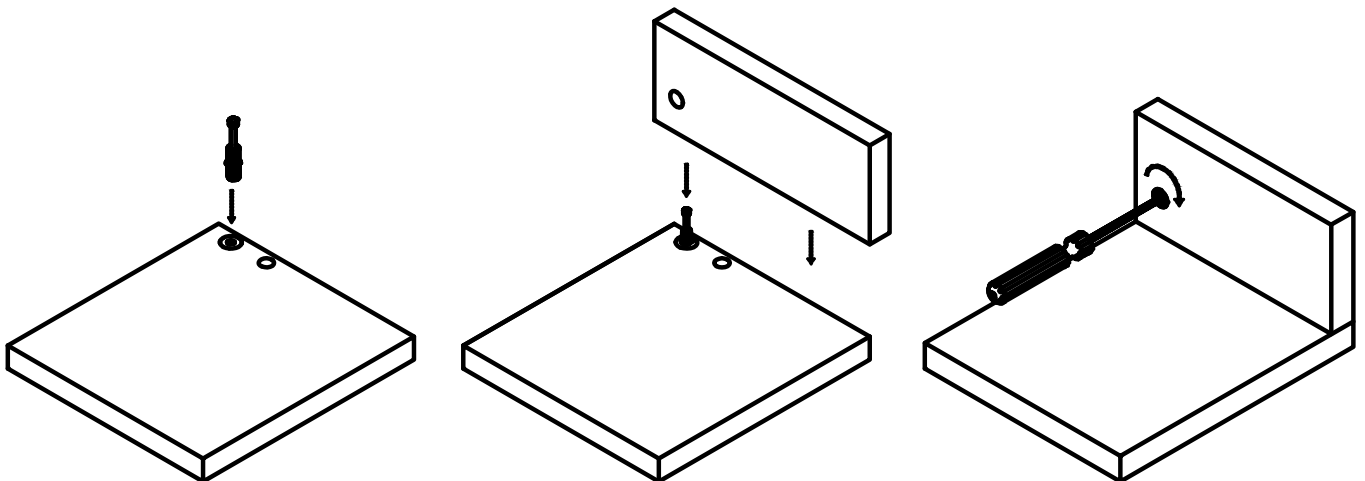
Expanding socket



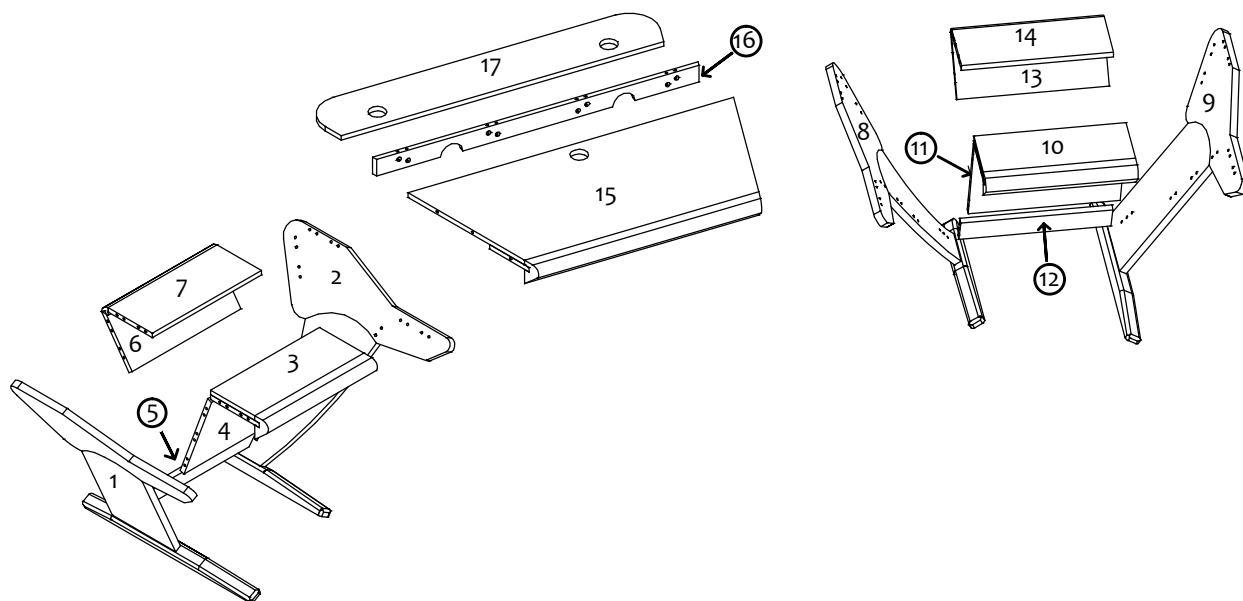
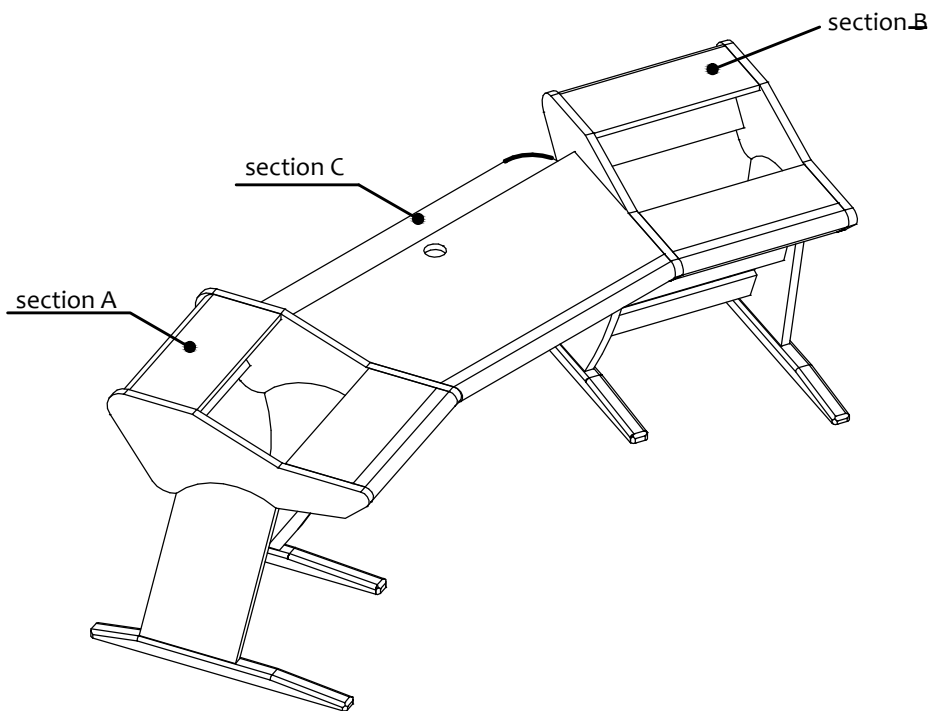
System bolt



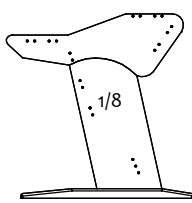
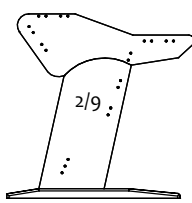
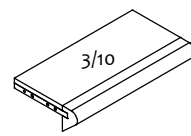
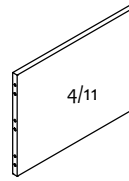
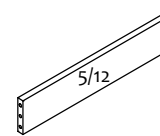
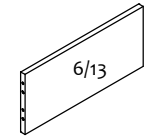
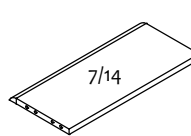
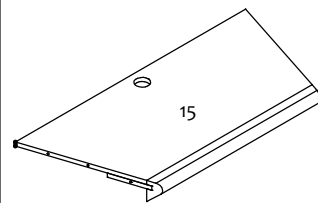
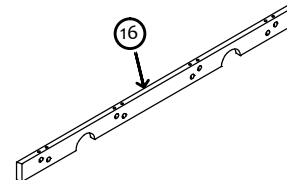
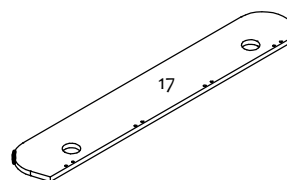
Eccentric fitting



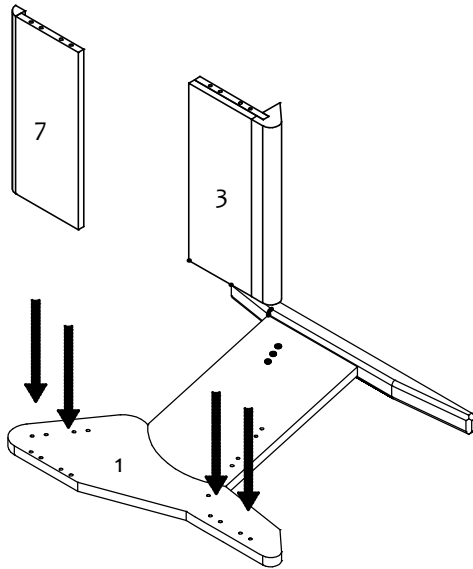
### Assembly Manual



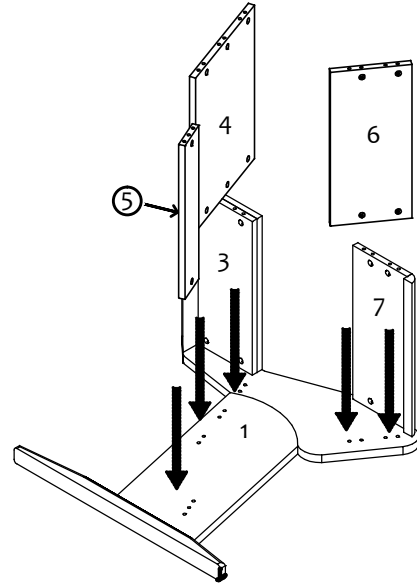
### Assembly Manual

<p>Part n° 1 - left side section A Part n° 8 - left side section B</p> 	<p>Part n° 2 - right side section A Part n° 9 - right side section B</p> 	<p>Part n° 3 - table top section A Part n° 10 - table top section B</p> 	<p>Part n° 4 - stabilizer section A Part n° 11 - stabilizer section B</p> 
<p>Part n° 5 - stabilizer section A Part n° 12 - stabilizer section B</p> 	<p>Part n° 6 - stabilizer section A Part n° 13 - stabilizer section B</p> 	<p>Part n° 7 - top panel section A Part n° 14 - top panel section B</p> 	<p>Part n° 15 Table top section C</p> 
<p>Part n° 16 cable passage section C</p> 	<p>Part n° 17 Cable passage section C</p> 		

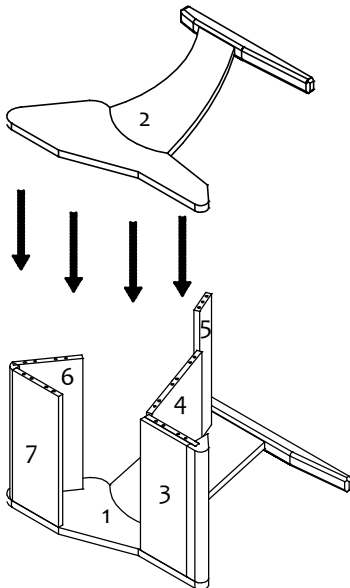
### Assembly Manual



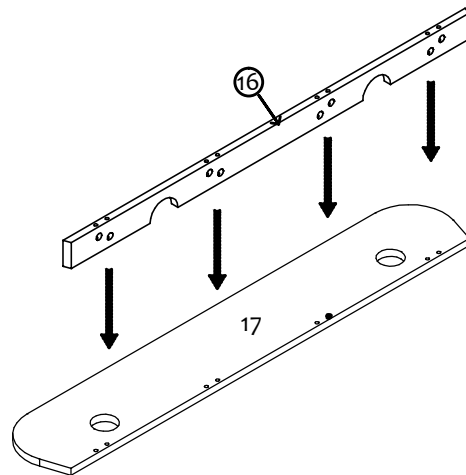
PHASE 1 (section A) put part n° 1 flat on the ground on a non scratching support. Insert the system bolts in the sockets, lower down parts n° 3 and 7. Tighten with the excenters as shown in page 1



PHASE 2 (section A) repeat the procedure from PHASE 1 for parts n° 4, 5, and 6.

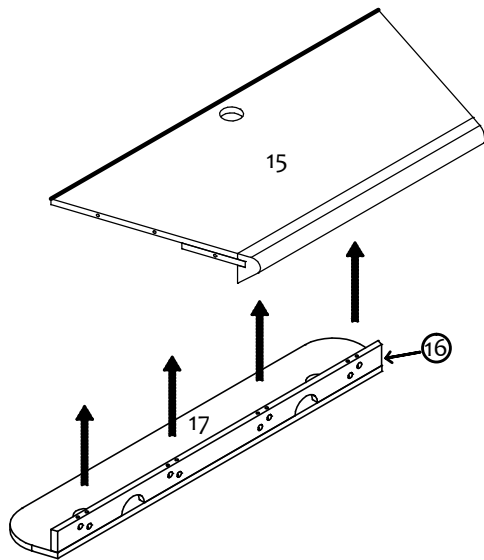


PHASE 3 (section A)  
Complete section A lowering part n° 2 with system bolts already inserted into sockets and tighten using excenters.  
Repeat the 3 phases to assemble section B using the appropriate parts.

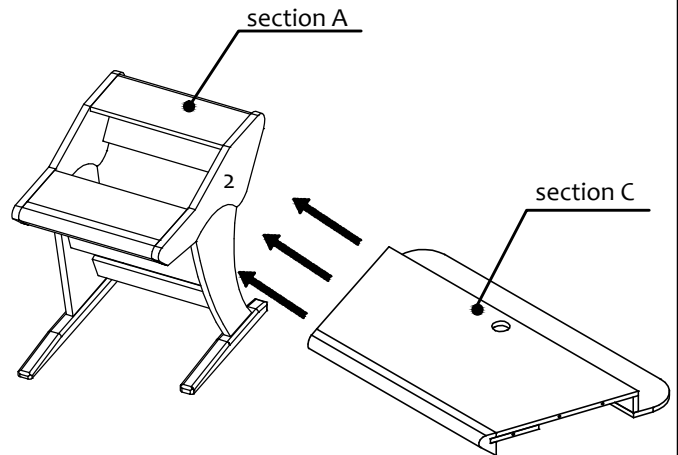


PHASE 4 (section C) position part n° 17 flat on the floor, lower down panel n° 16 into the corresponding holes after outfitting the sockets with system bolts. Tighten using excenters.

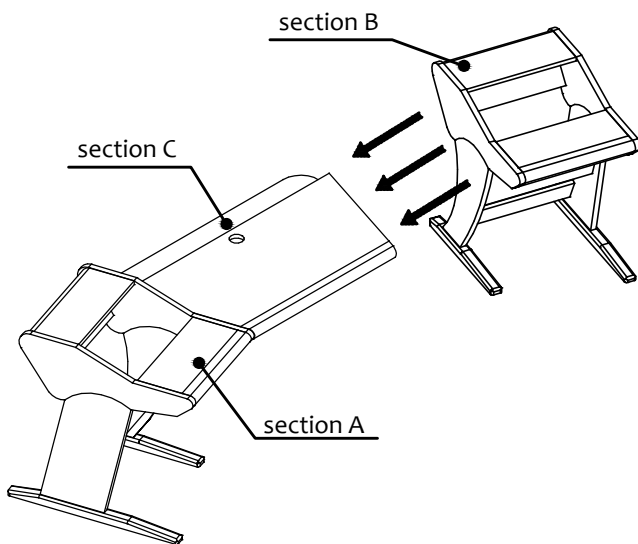
### Assembly Manual



**PHASE 5 (section C)**  
complete section C by attaching the cable tray (parts n° 16 e 17) to the table top part n° 15 using system bolts and excenters.



**PHASE 6**  
Move section C toward section A and attach using bolts and excenters going into the appropriate holes on part n° 2. After having these two sections assembled, make sure to support section C.



**FASE 7**  
Now bring in section B and attach it to section C in the same way. Tighten and you're done. Wasn't that hard, was it?

#### MATERIALS USED

-structure: solid wood (ash or oak) and melaminated particle board;

#### PACKING LIST

17 wooden furniture parts;  
56 assembly kits (system bolt + excenter)  
48 Rack cage nuts, washers and screws

#### Instructions for use and cleaning

- clean with a soft cloth, slightly humid or specific products for wood or lacquer  
- avoid the use of abrasive cleaners!

**FOR ASSEMBLY WE RECOMMEND BEING AT LEAST 3 PEOPLE!**