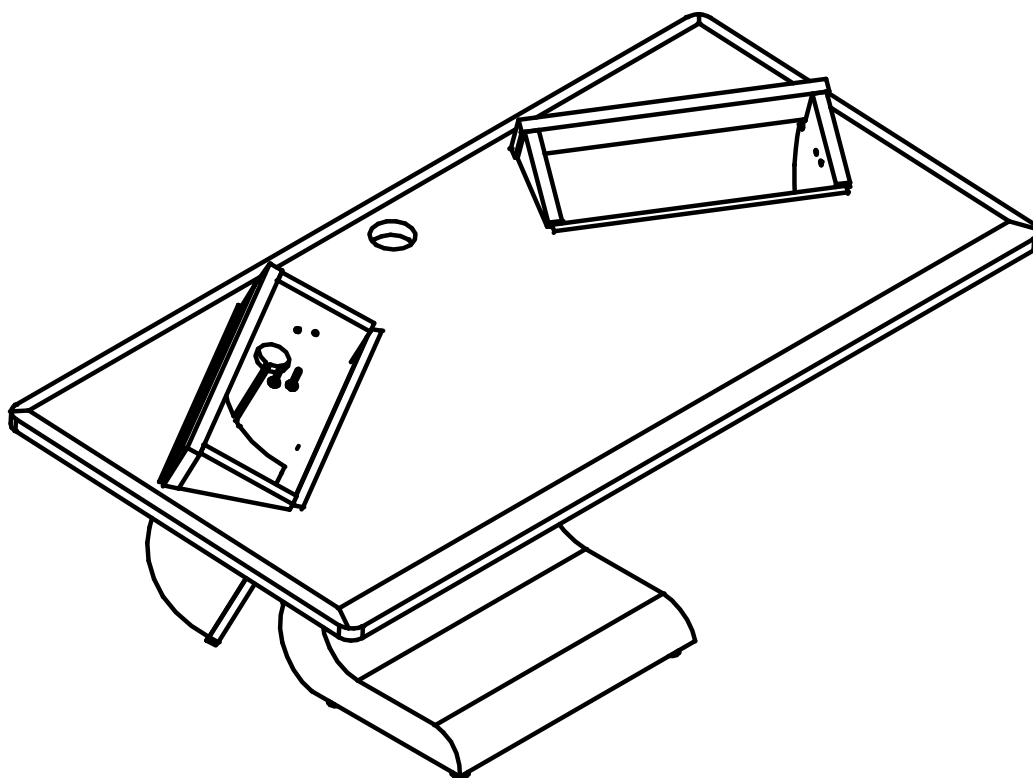


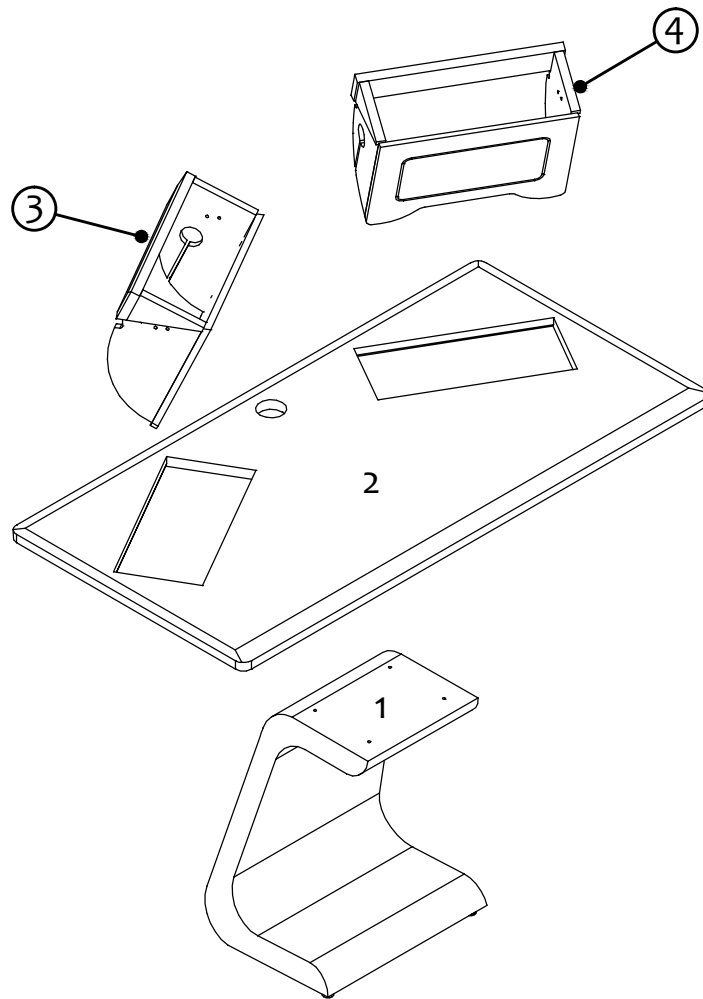
Zaor[®]

BUDGET CUSTOM DESIGN

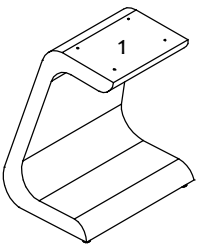


iDesk 19 Assembly Manual

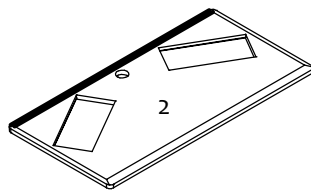
Assembly Manual



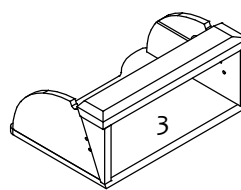
Part n° 1
Base or Foot



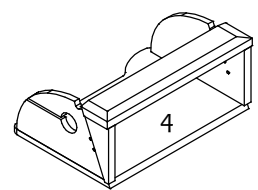
Part n° 2
Table top



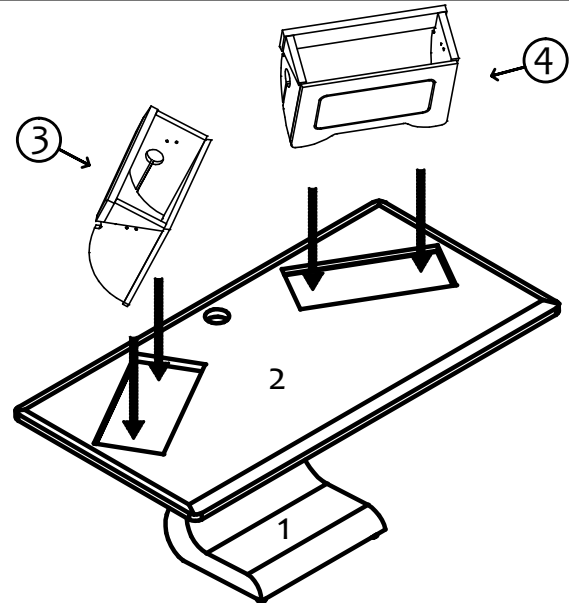
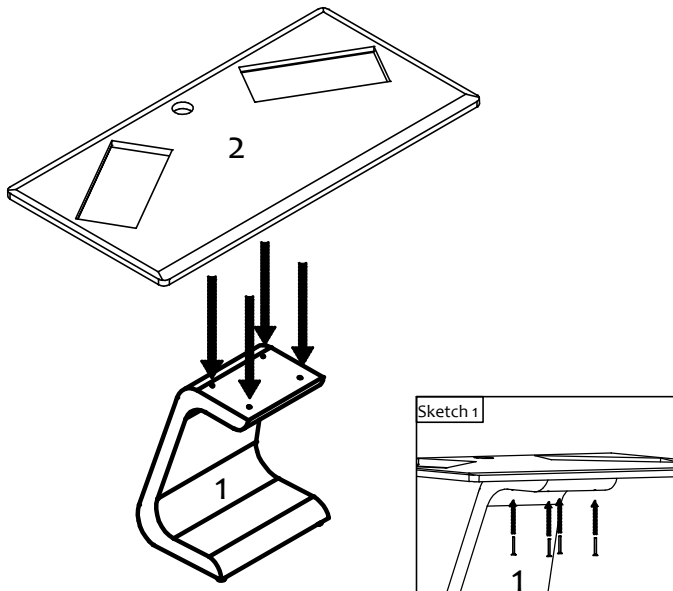
Part n° 3
19" Rack left



Part n° 4
19" Rack right

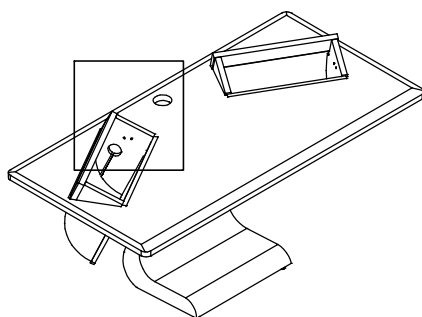
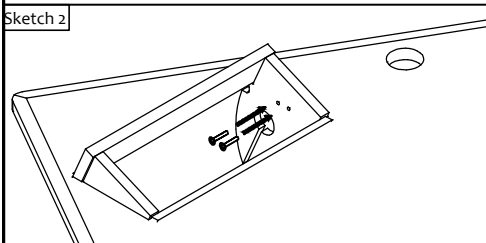


Assembly Manual



PHASE 1
Position the foot n° 1 as per drawing. Lower down desktop, part n° 2. Align the holes and fix using M 6x70 screws in the holes from below the foot (n° 1). See add-on sketch 1.

PHASE 2
Insert the 19" racks n° 3 e 4 in the cutouts present on the table top (part n°2).



PHASE 3
Fix the racks to table top with M 6x30 screws using the holes present on the sidepanels of the racks. See also sketch n° 2.

MATERIALS USED

- structure: MDF and solid wood ;
- 5 layer piano lacquer;

PACKING LIST : 4 parts of the desk;

- 4 screws M 6x70 -
- 8 screws M 6x30;
- 16 cage nuts, washers and bolts for racks;

Instructions for use and cleaning

- clean with a soft cloth, slightly humid or specific products for wood or lacquer
- avoid the use of abrasive cleaners!

We recommend being two when assembling the desk. Enjoy!