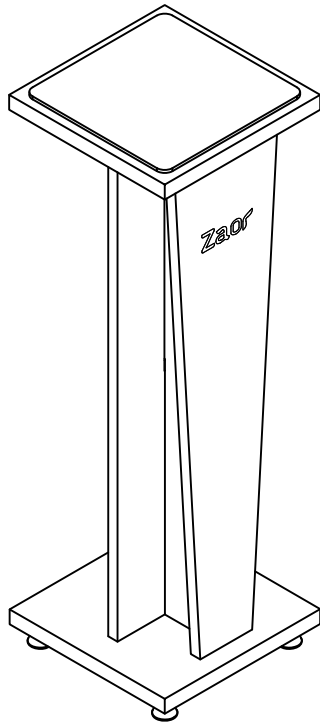
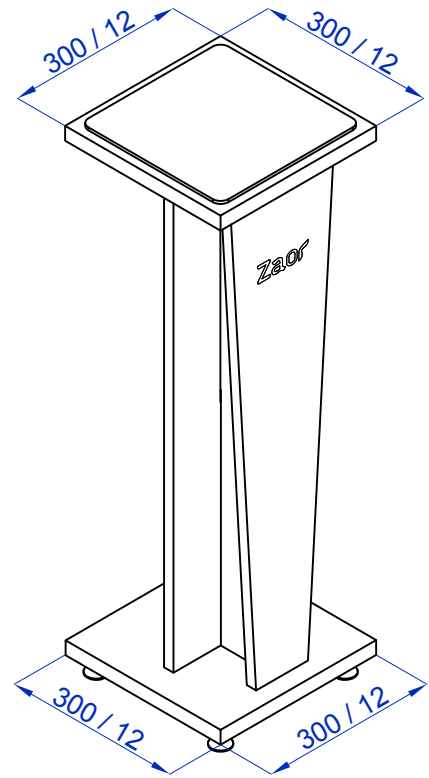


Technical Plan



ISO VIEW



TOP VIEW



FRONT VIEW

