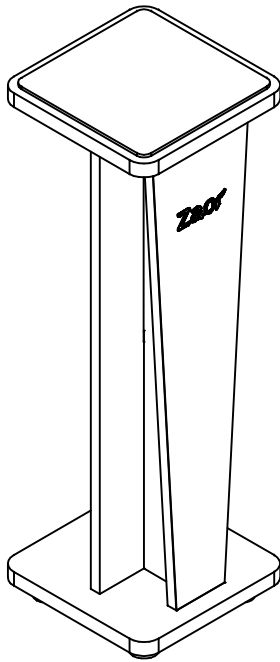
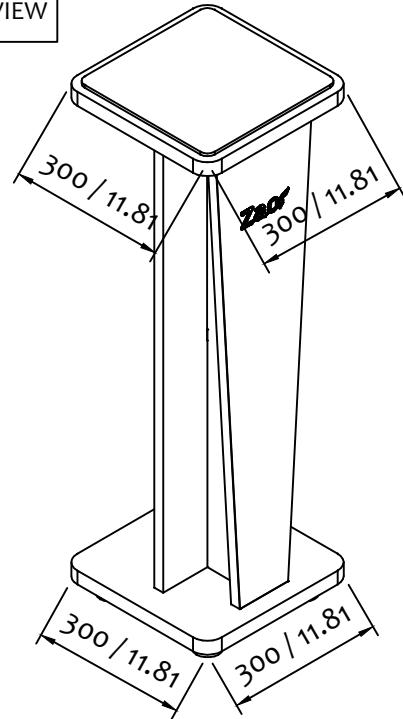


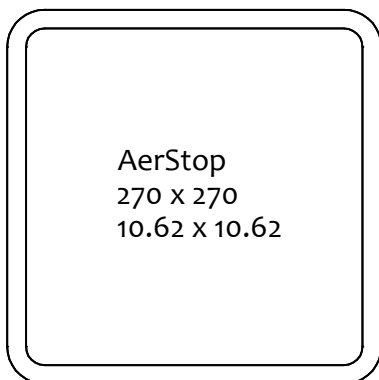
Technical Plan (in mm/inch)



DIAGONAL VIEW



FRONT VIEW



TOP VIEW

