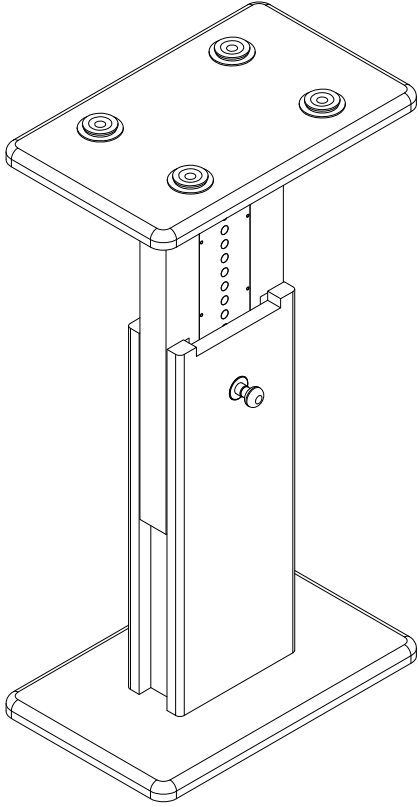
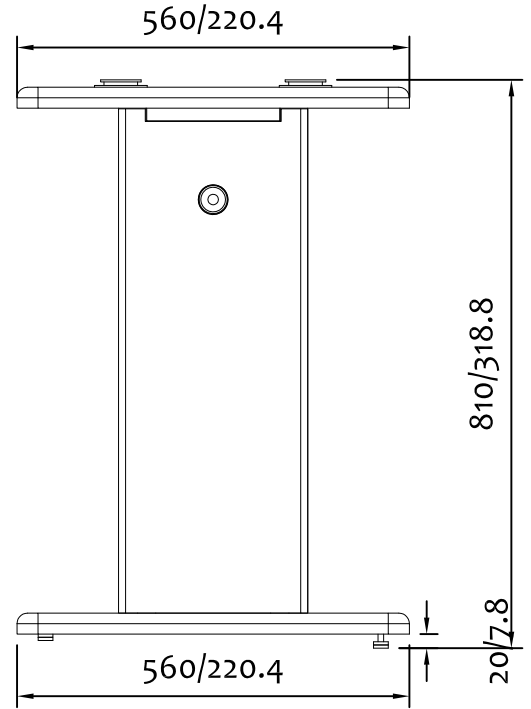


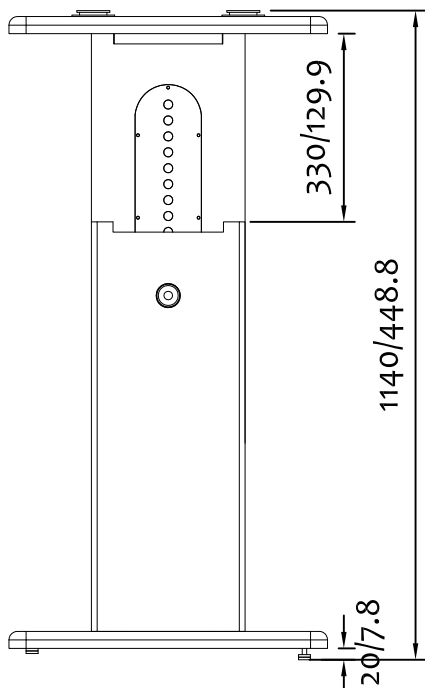
Technical Plan (in mm/inch)



FRONT VIEW



FRONT VIEW



SIDE VIEW

