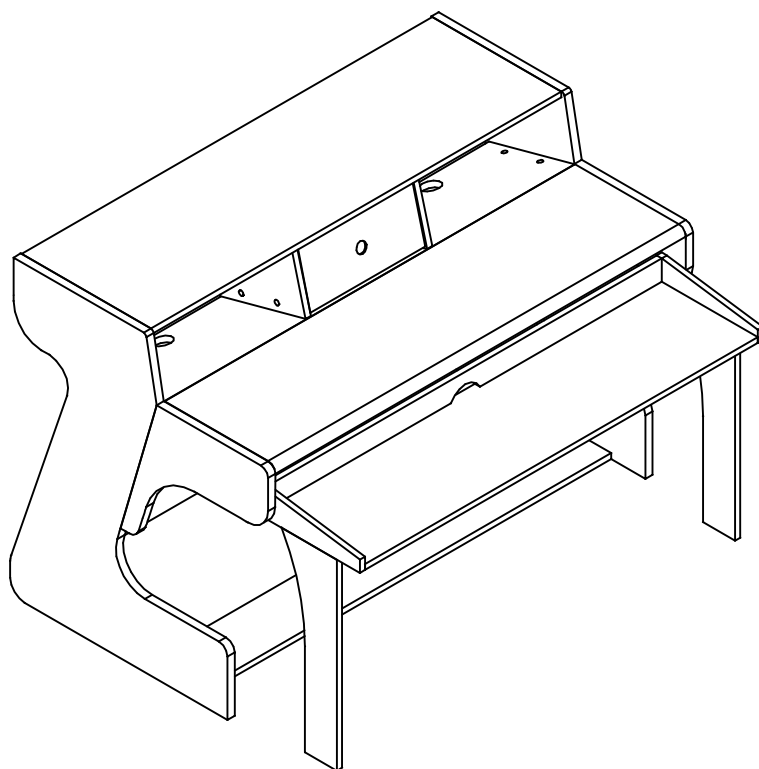


Zaor[®]

BUDGET CUSTOM DESIGN



Miza 88

Assembly Manual

Technical Plan

Thank you for choosing a piece of Zaor studio furniture,
which will hopefully make your life easier, more ergonomic and improve the looks of your workspace.

Before you can enjoy the comfort of your new acquisition you need to assemble it.

We have tried to give you as much detail as needed and as little as possible.

Should you run into any difficulty with this assembly you can get in touch with us via
sales@zaorstudiofurniture.com to set up a Skype session or phone call.

Here is a general instruction on how to use the furniture assembly kits:

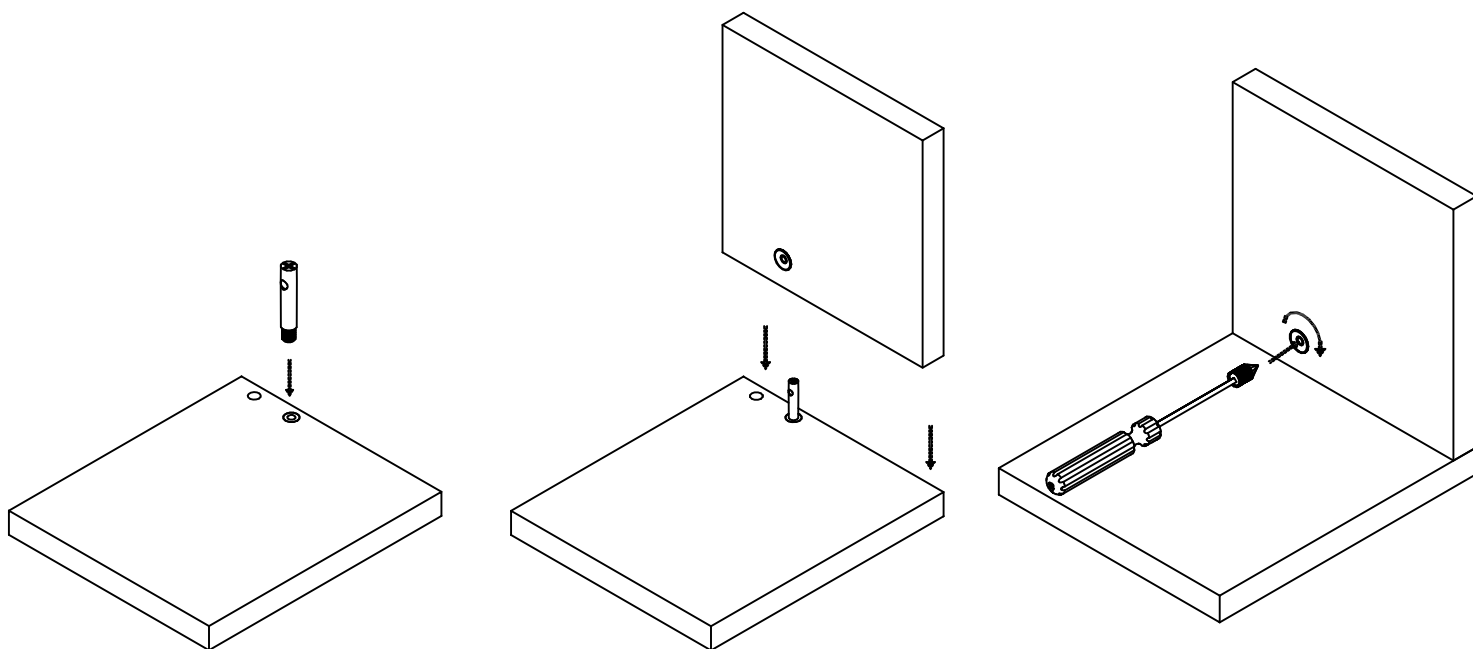
- 1) Insert and screw in the system bolt(s) into the socket(s) already present on the part(s) making sure the hole is at 90° from the edge
- 2) Assemble the connecting parts, inserting the bolts into the smaller holes in the connecting part, the bolt tip fitting into the side hole of the excenter until the hole in the bolt and the center hole of the excenter align
- 3) insert the locking screw into the excenter, and tighten with a cross screw driver all the way without using force!



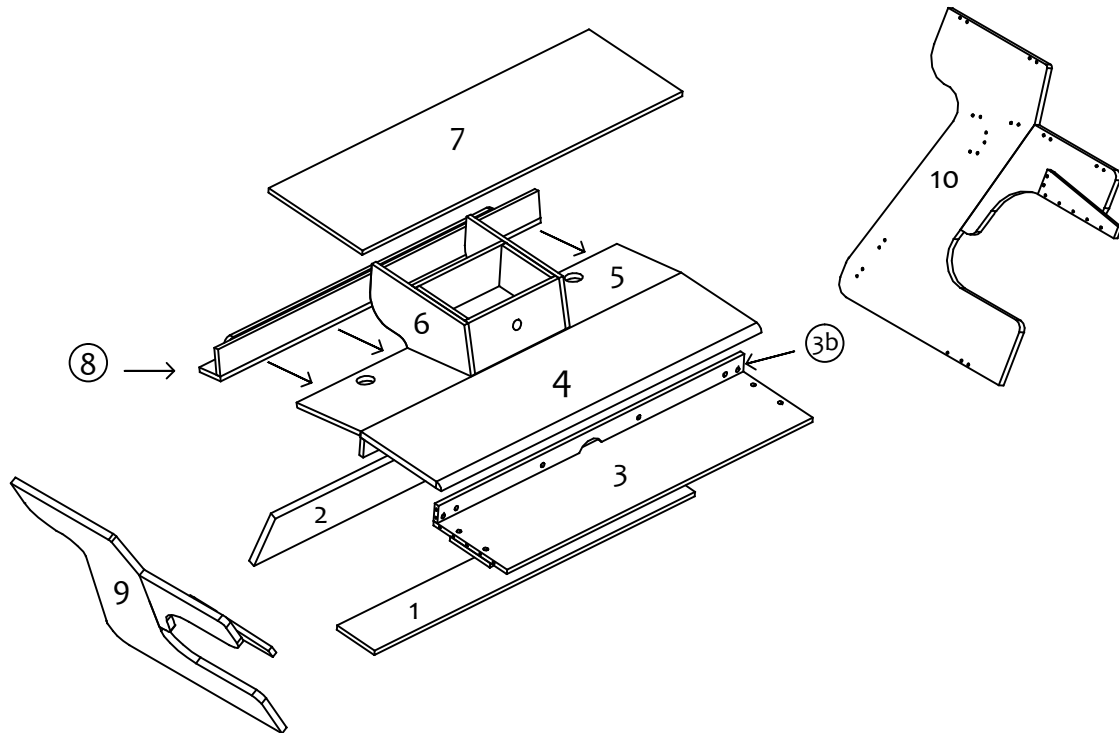
System bolt with hole

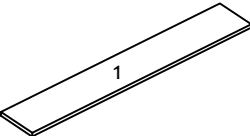
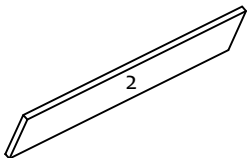
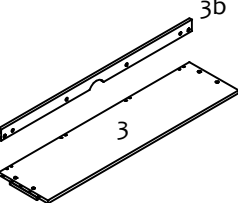
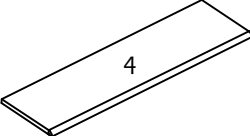
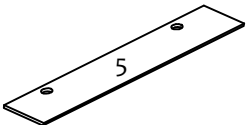
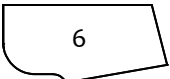

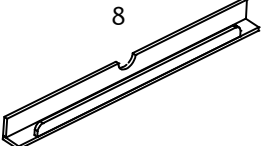
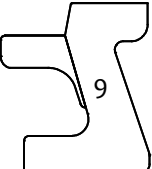
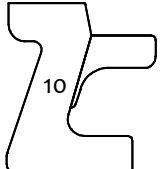


Locking screws

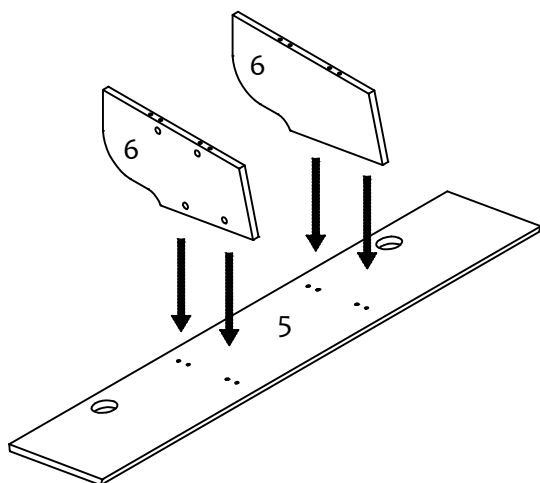


Assembly Manual

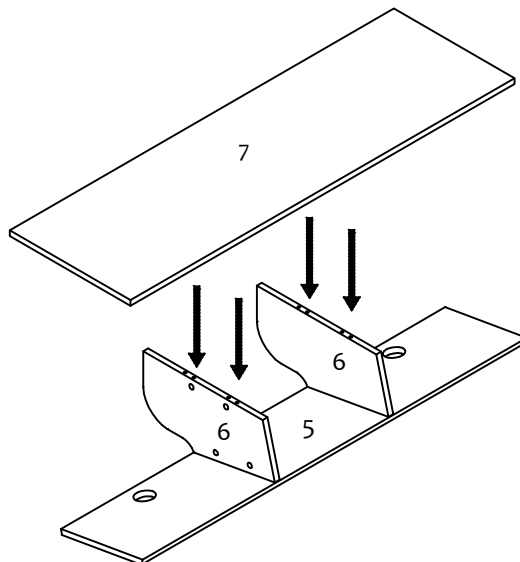


Part n° 1 Floor cross bar	Part n° 2 Back stabilising crossbar	Part n° 3 - 3b keyboard drawer module	Part n° 4 Desk top	Part n° 5 Rack bottom
				
Part n° 6 Dividers (2pcs)	Part n° 7 top bridge	Part n° 8 Cable tray	Part n° 9 Left side part	Part n° 10 Right side part
				

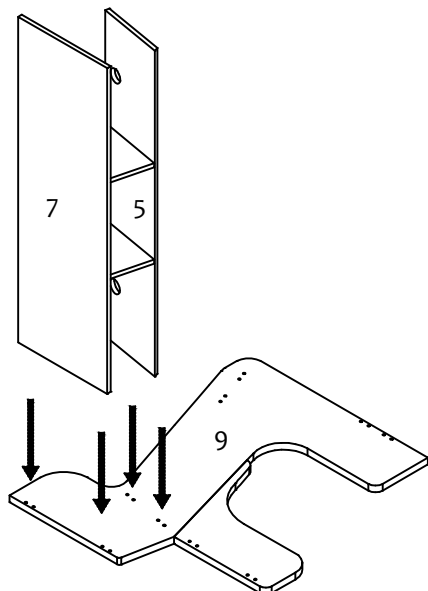
Assembly Manual



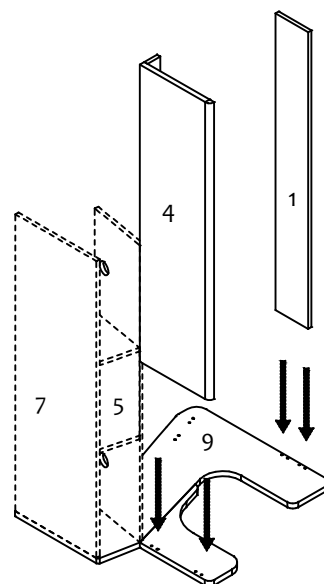
STEP 1 Lay part n° 5 flat on th ground, introduce system bolts and attach parts n° 6. Tighten with extenders (see page 2). Be careful to have the pre-mounted drawer rails on the inside of the dividers!



STEP 2 After introducing bolts, lower down top part n° 7 onto dividers n°6, and tighten with excenters to assemble first module.

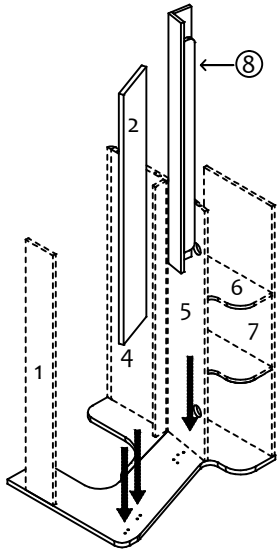


STEP 3 Put the left side part n° 9 flat on the ground (we recommend soft surface like carpet), put bolts and lower down assembly of parts n° 5,6,7. Tighten using excenters.

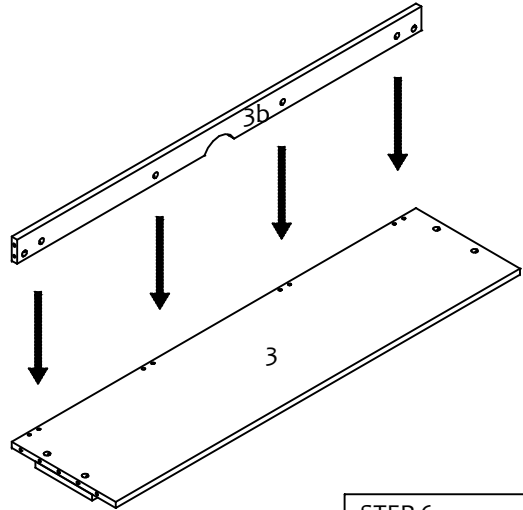


STEP 4 add the rest of the bolts and proceed to attach parts n° 4 and 1 in a similar manner. Tighten with excenters.

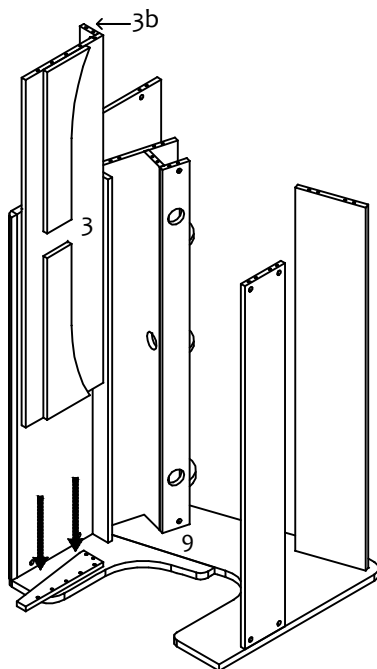
Assembly Manual



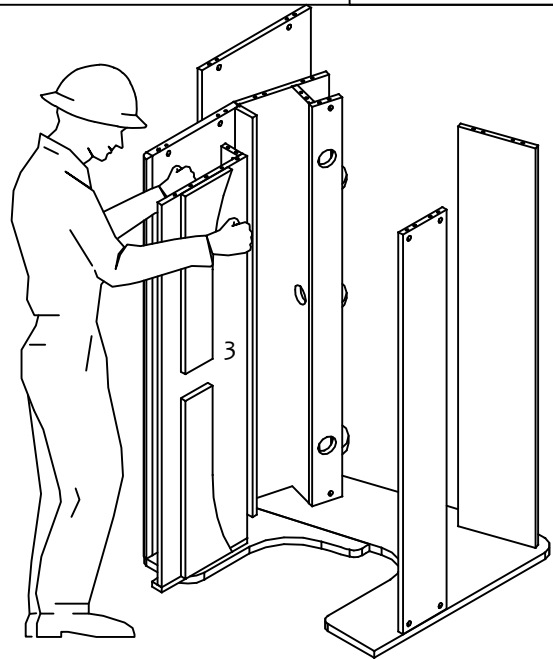
STEP 5
Repeat the same as
STEP 3 and 4 for parts n°
8 and 2.



STEP 6
Join 3b with 3 using
assembly kits

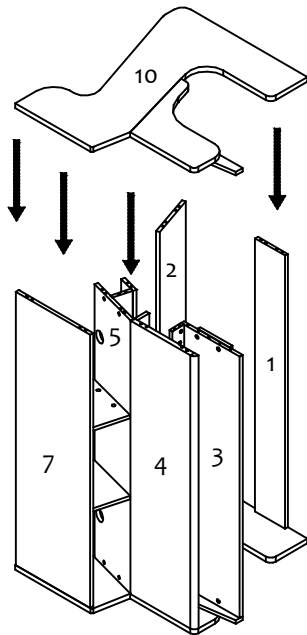


STEP 7
Lower down the keyboard module assembled in step 6 and attach it to side part n° 9 using assembly kits;
N.B. KEEP THE KEYBOARD MODULE VERTICAL AVOID FLUCTUATIONS



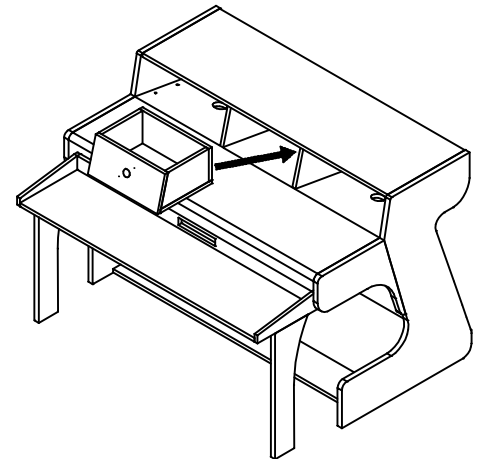
After assembling the keyboard module, make sure it is kept in its vertical position, avoiding any oscillation until step 8 is completed. Sideway movements of the keyboard module risk damaging the drawer rail assembly!

Assembly Manual



STEP 8

Afterwards put bolts in part n 10 and carefully align all holes with bolts, lower down and tighten with excenters.



STEP 9

Using the drawer rails already present on the dividers n° 6 introduce the drawer from the top down. During this phase avoid jamming the drawer and never use force . You are done - Enjoy! When fully extracting the drawer, use the fold down legs to stabilise.

Material used

-Melaminated chipboard 18+25 mm
solid wood (Oak or Ash;

PACKING LIST

- N°44 Assembly kits;
- N° 10 parts;
- N° 1 pre-assembled drawer;
- N° 32 kits rack;

Cleaning instructions

- clean with a soft, humid cloth or specific wood cleaners; -avoid the use of abrasive materials or cleaners;

We recommend being 2 people for assembly