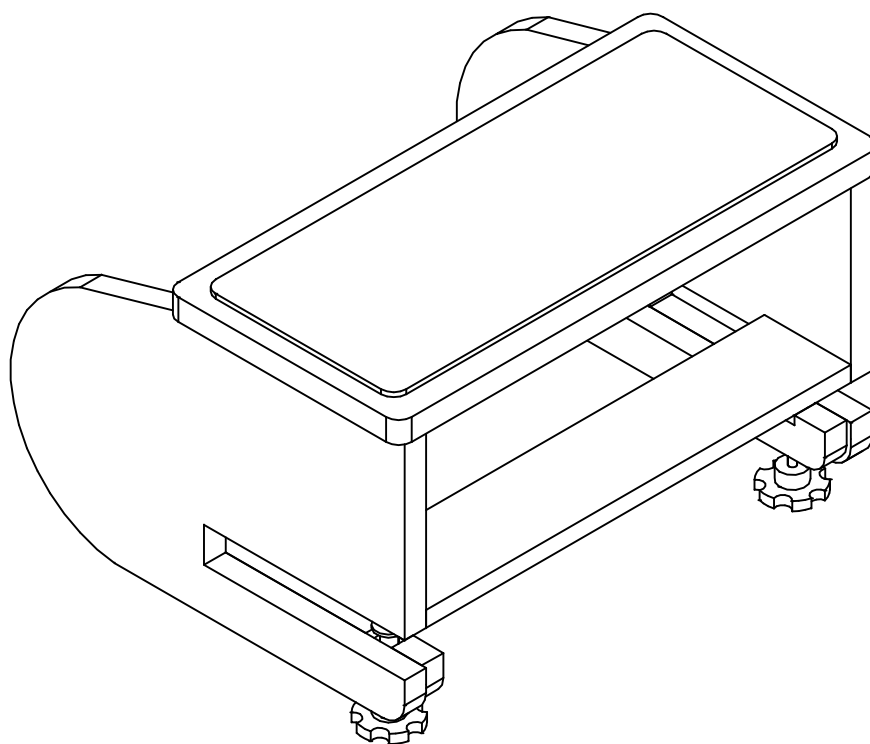


Zaor[®]

BUDGET CUSTOM DESIGN



Miza GripRack MKII 2/4 Assembly Manual

Technical Plan

Thank you for choosing a piece of Zaor studio furniture,
which will hopefully make your life easier, more ergonomic and improve the looks of your workspace.
Before you can enjoy the comfort of your new acquisition you need to assemble it.
We have tried to give you as much detail as needed and as little as possible.
Should you run into any difficulty with this assembly you can get in touch with us via
sales@zaorstudiofurniture.com to set up a Skype session or phone call.

Here is a general instruction on how to use the furniture assembly kits:

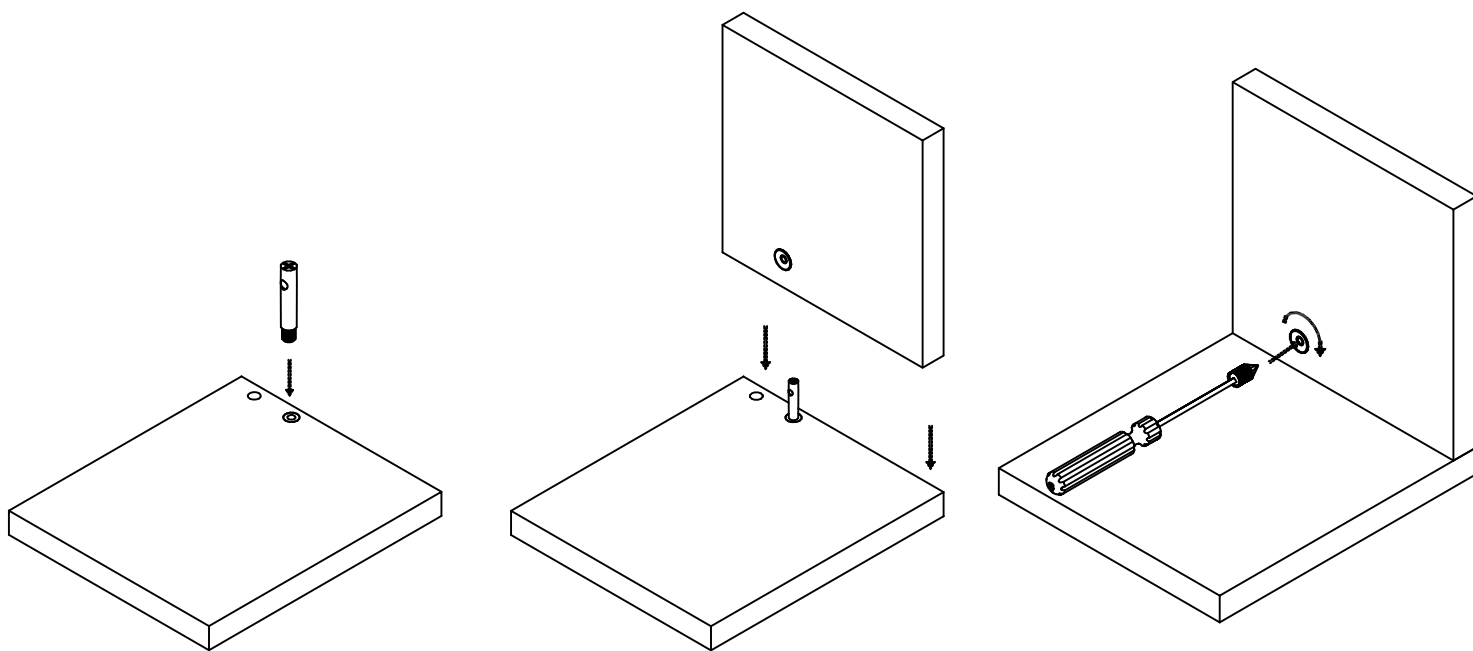
- 1) Insert and screw in the system bolt(s) into the socket(s) already present on the part(s) making sure the hole is at 90° from the edge
- 2) Assemble the connecting parts, inserting the bolts into the smaller holes in the connecting part, the bolt tip fitting into the side hole of the excenter until the hole in the bolt and the center hole of the excenter align
- 3) insert the locking screw into the excenter, and tighten with a cross screw driver all the way without using force!



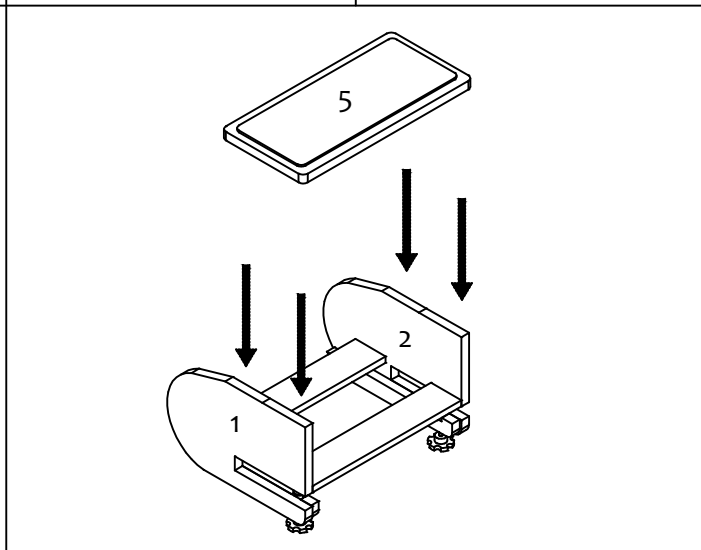
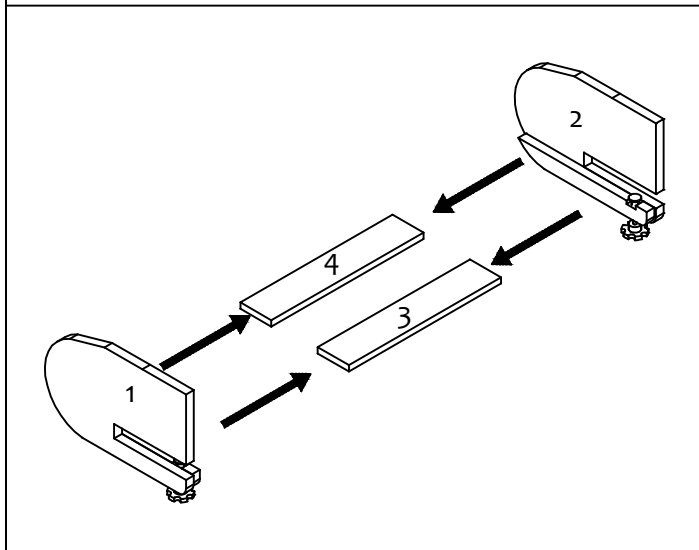
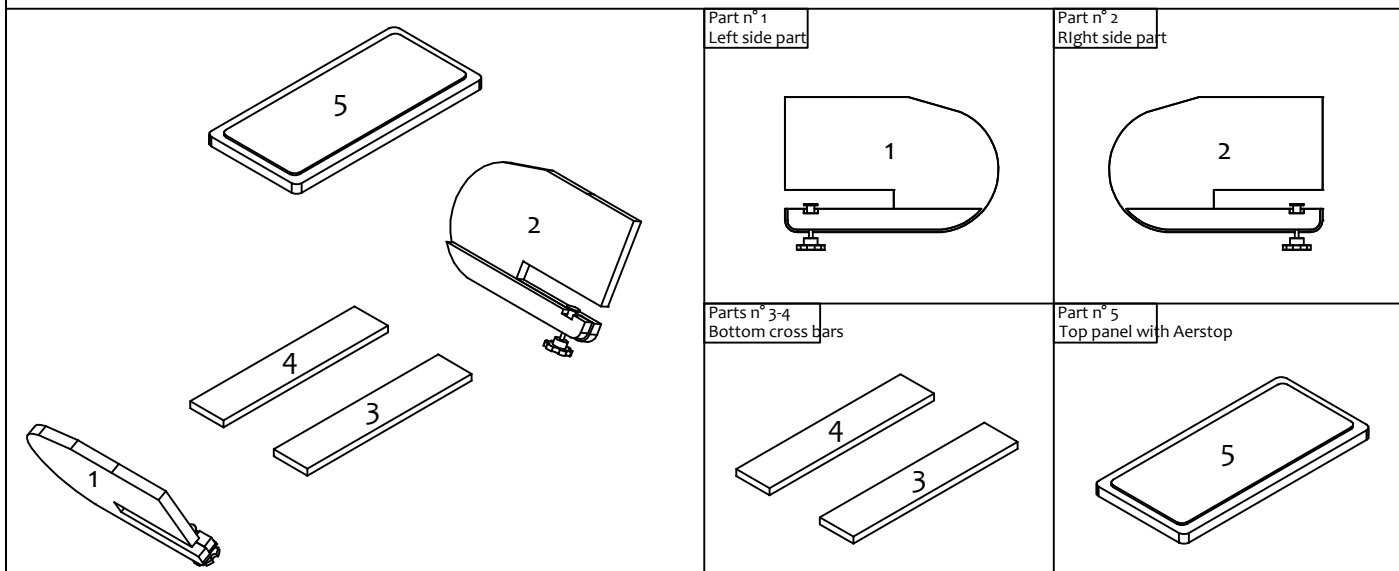
System bolt with hole



Locking screws



Assembly Manual



Step 1 insert the system bolts in parts n° 1 + 2 then slide on parts 3 and 4 as shown and fix them with the excenters as shown in page 2.

FASE 2 After having attached the bolts on part 5, lower it into the holes on parts 1 and 2 and attach using the provided excenters.

MATERIALS USED

- Chipboard with melamine film and solid wood (ash), tainted
- Acoustic absorption material AERSTOP.

MAINTENANCE AND CLEANING

- use a humid cloth or wood cleaning product
- avoid using abrasive cleaners

PACKING LIST

- 5 wood parts
- 8 assembly kits
- 8/16 cage nuts+rack screws

USE: Slide on 'n tighten rack can be used on desktop 18 to 35 mm thick. Loosen the 2 screws completely, slide the rack onto the table top all the way, so that the upper part sits on top, and the lower part of the jaw sits below the table. Tighten the 2 holding screws until there is a firm grip and the rack can not slip off accidentally. Make sure that the desktop you attach to is min 18mm thick and strong enough to bear the additional weight of both the rack and the gear you put inside. Ideally the desktop will be 25 mm/ 1" or thicker.