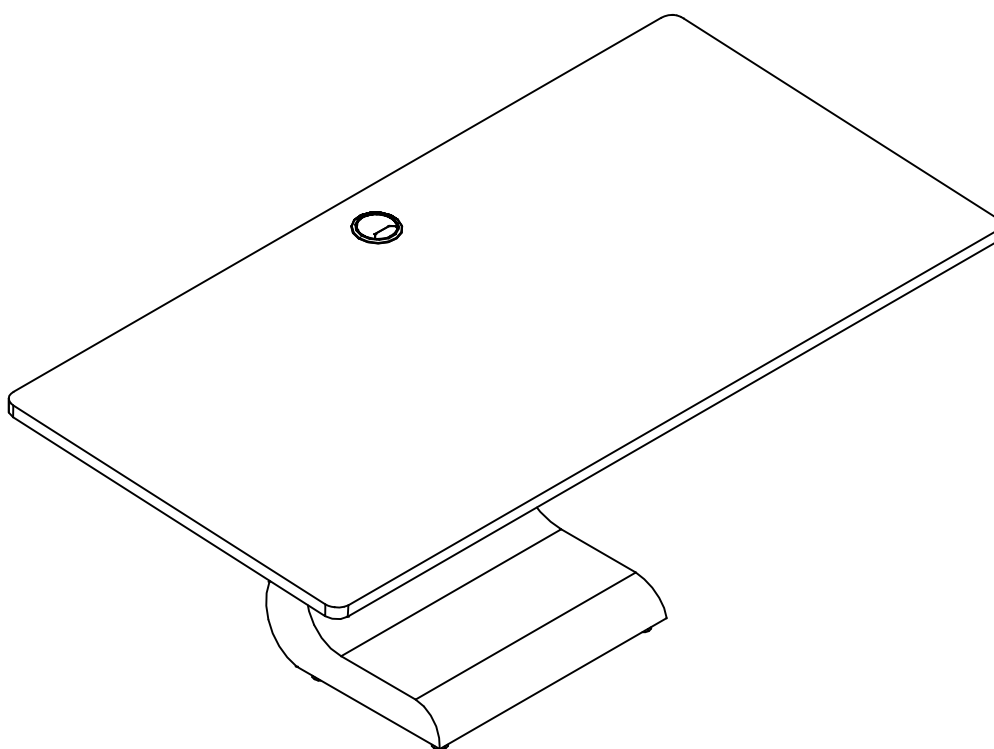


Zaor[®]

BUDGET CUSTOM DESIGN



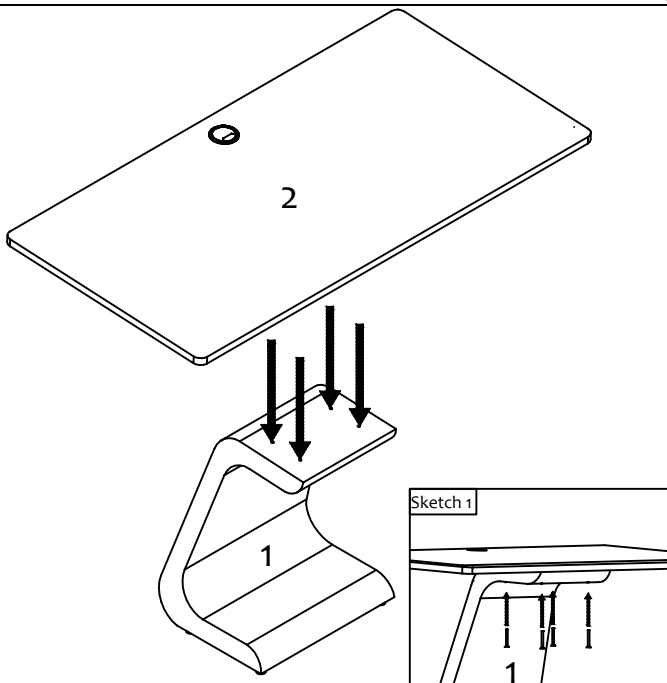
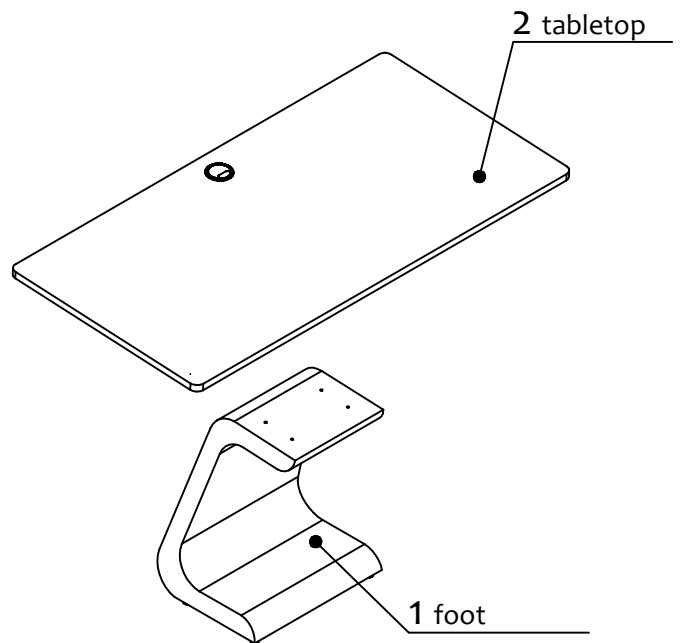
Vela Plain Assembly Manual

Assembly Manual

Thank you for choosing a piece of Zaor studio furniture, which will hopefully make your life easier, more ergonomic and improve the looks of your workspace.

Before you can enjoy the comfort of your new acquisition you need to assemble it.

We have tried to give you as much detail as needed and as little as possible. Should you run into any difficulty with this assembly you can get in touch with us via sales@zaorstudiofurniture.com to set up a Skype session or phone call.



MATERIALS USED

- structure: MDF, solid wood, fiber glass ;

PACKING LIST

- 2 parts
- 4 screws M 6x70

Instructions for use and cleaning

-clean with a soft cloth, slightly humid or specific products for wood or lacquer
-avoid the use of abrasive cleaners!

We recommend being two when assembling the desk. Enjoy!

PHASE 1

Position the foot n° 1 as per drawing. Lower down desktop, part n° 2. Align the holes and fix using M 6x70 screws in the holes from below the foot (n° 1). See add-on sketch 1.