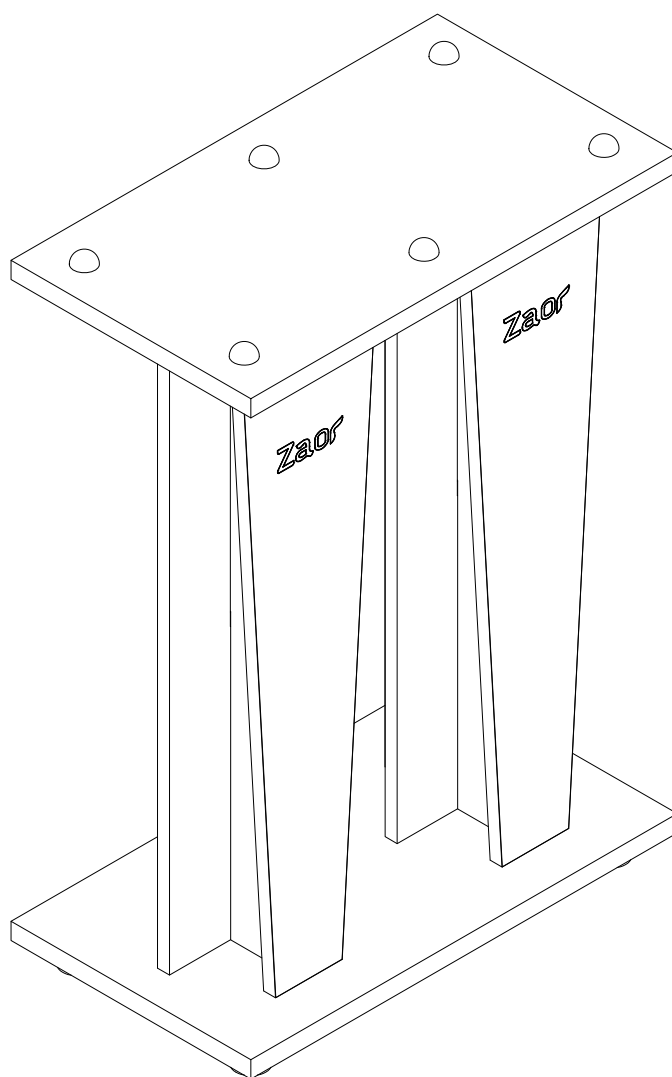


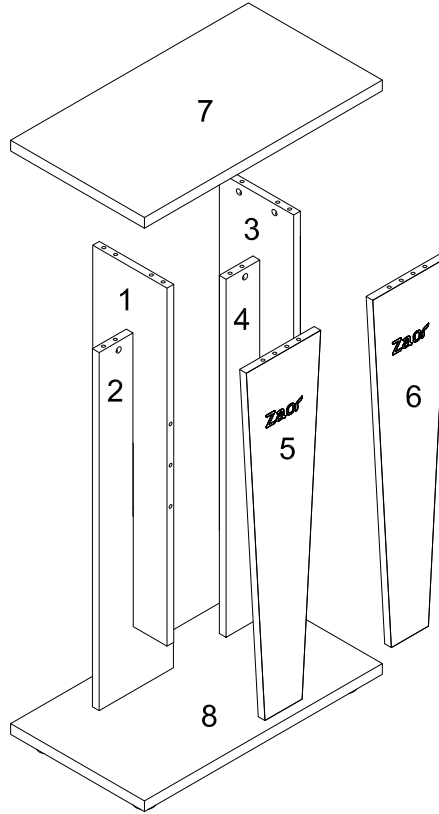
Zaor[®]

BUDGET CUSTOM DESIGN

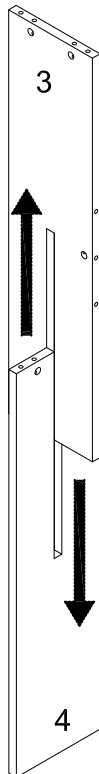
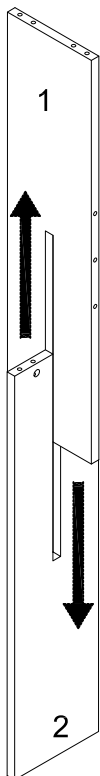


Croce Duo Assembly Manual

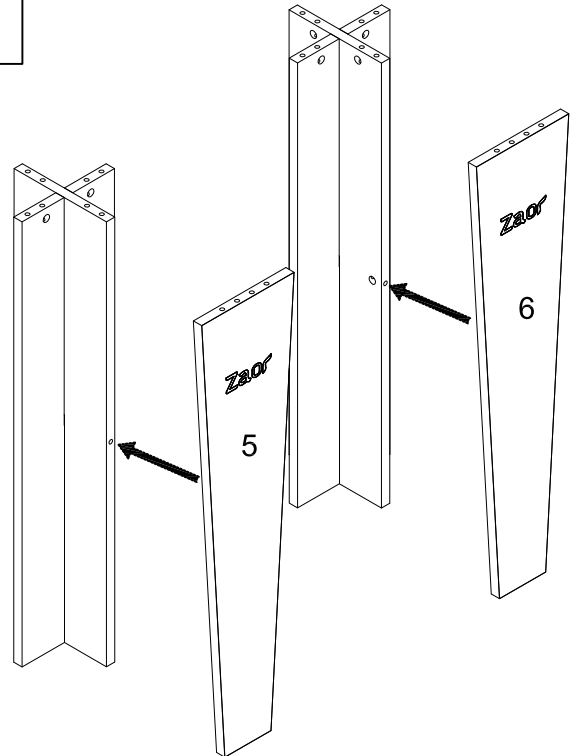
Assembly Manual



STEP 1

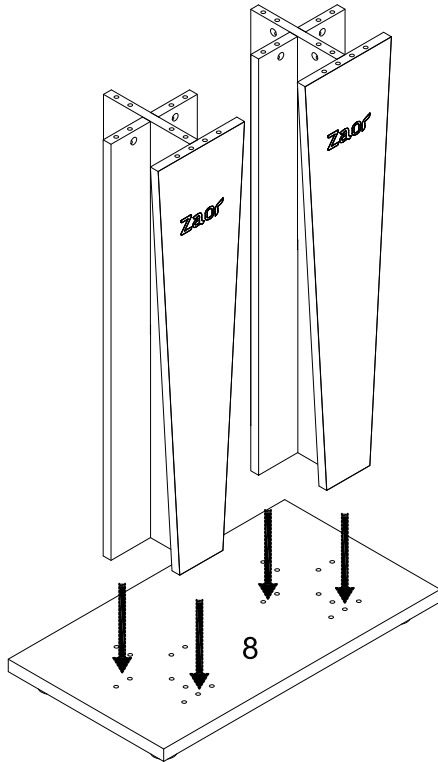


STEP 2

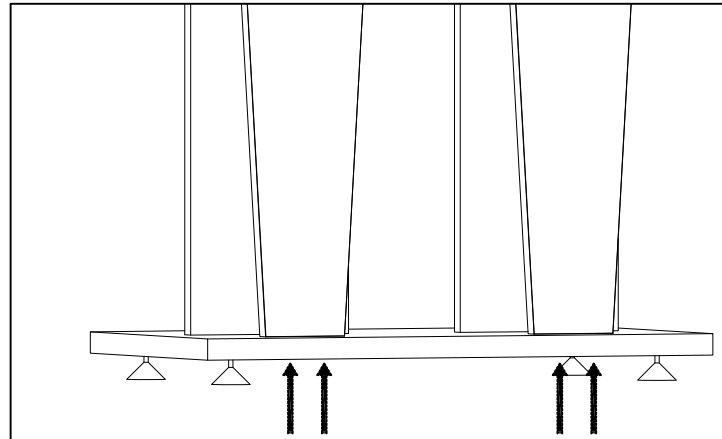


Assembly Manual

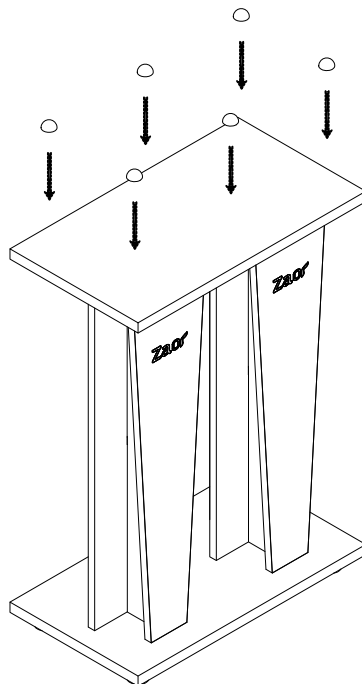
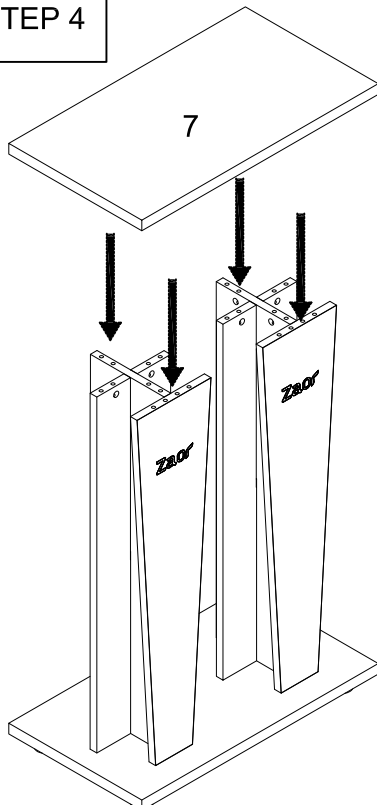
STEP 3



use screws M6 x 40 (A)



STEP 4



Material used

- Melaminated chipboard
- #### PACKING LIST
- N° 10 assembly kits;
 - N° 8 wood parts;
 - N° 8 screws M6x40 (A);
 - N° 6 sorbothane hemispheres;

Cleaning instructions

- clean with a soft, humid cloth or specific wood cleaners; -avoid the use of abrasive materials or cleaners;