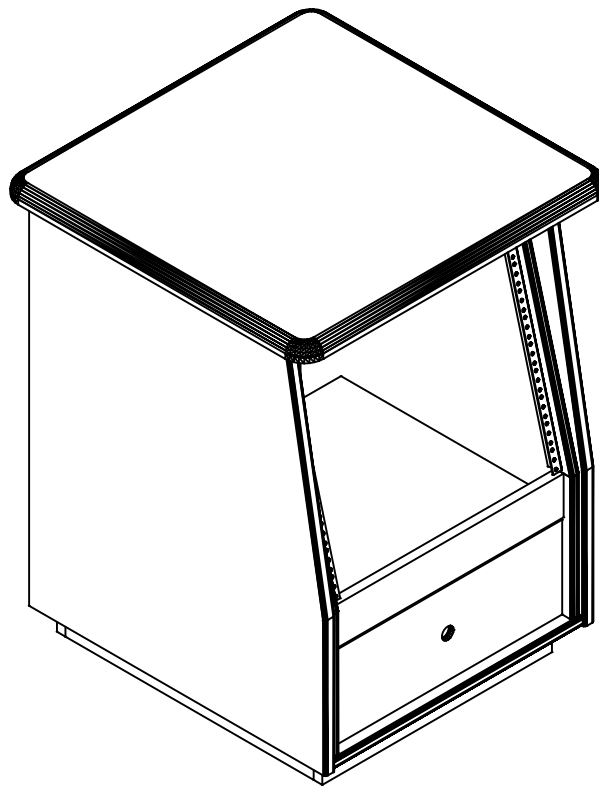


Zaor[®]

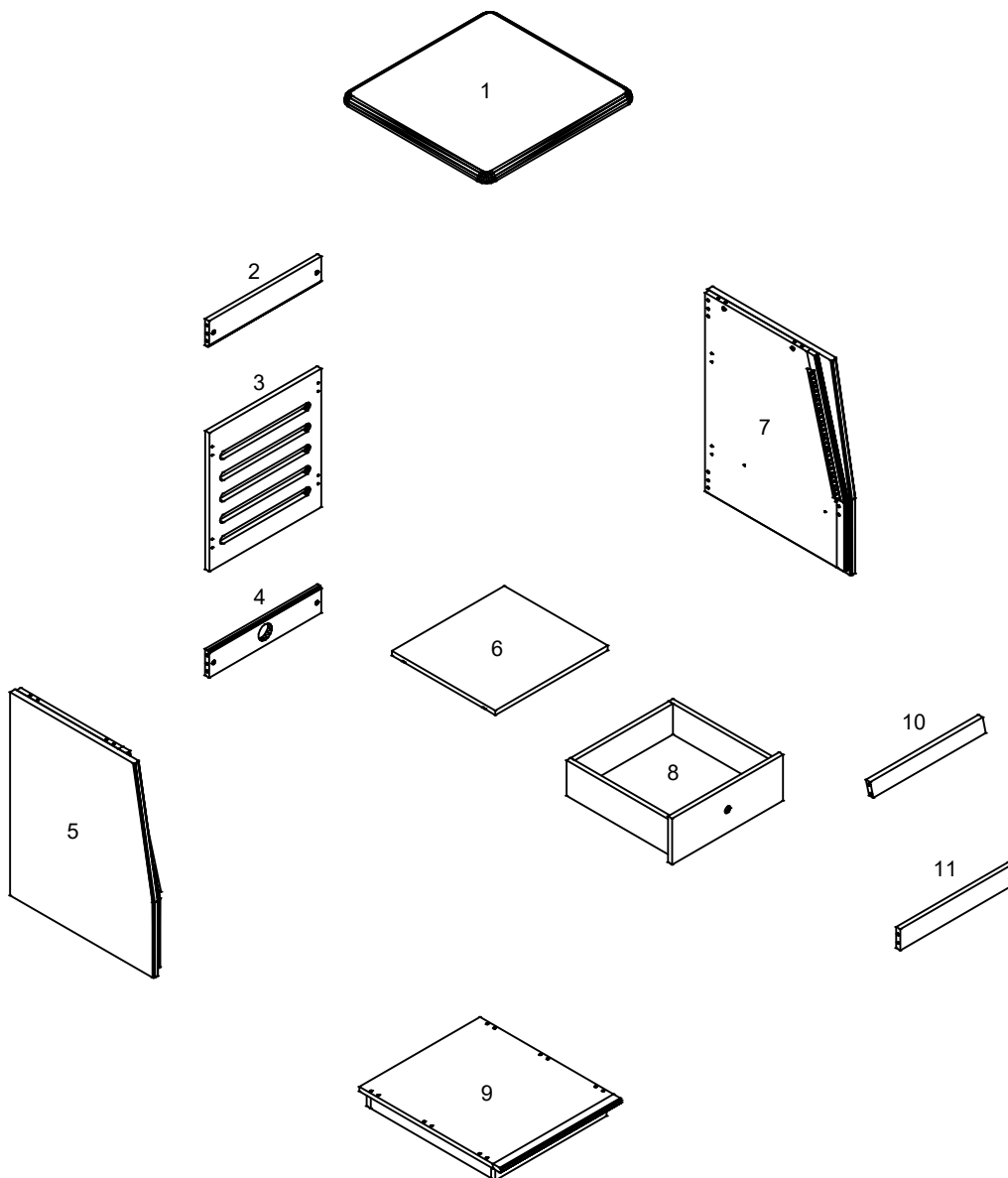
BUDGET CUSTOM DESIGN



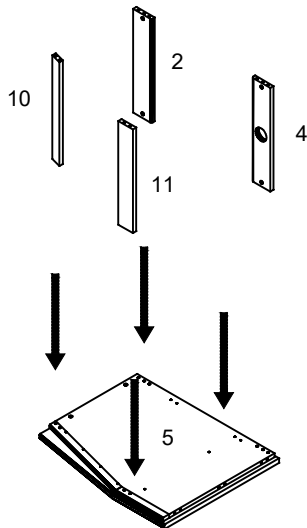
Rack Space 1

Assembly Manual

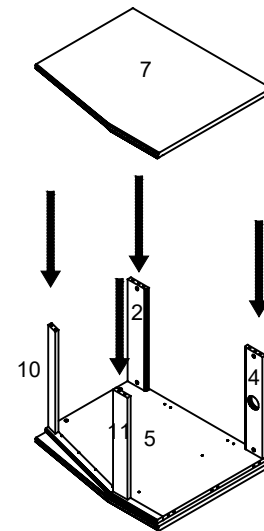
Assembly Manual



Assembly Manual

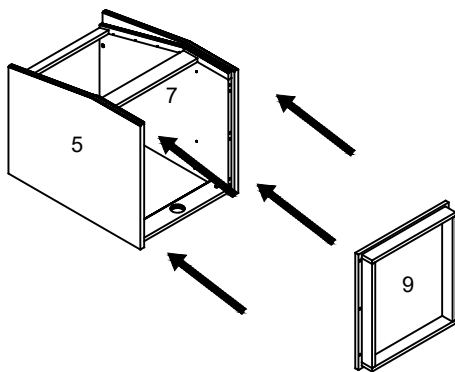


STEP 1

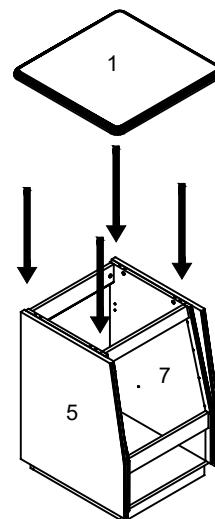


Use screw M6x30

STEP 2

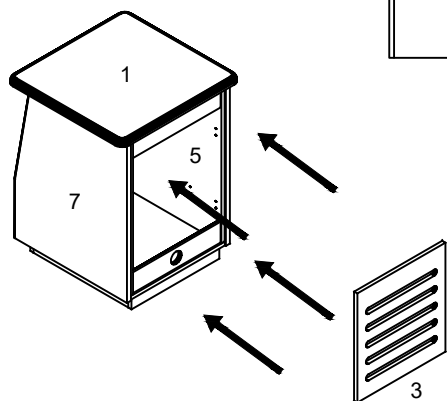


STEP 3

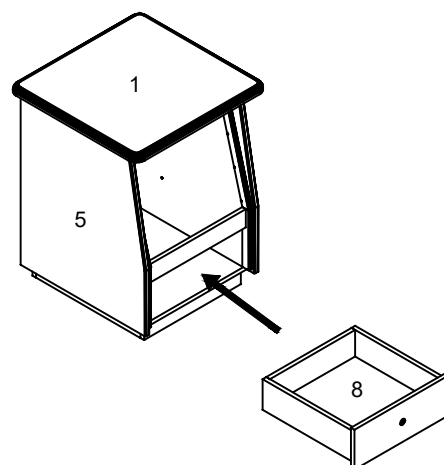


STEP 4

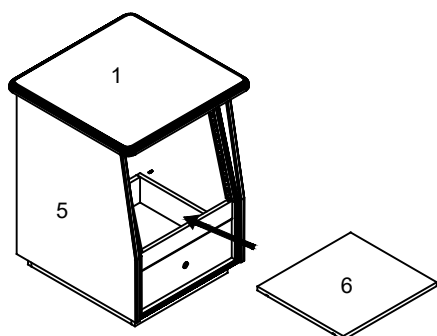
Assembly Manual



STEP 6



STEP 7



STEP 8