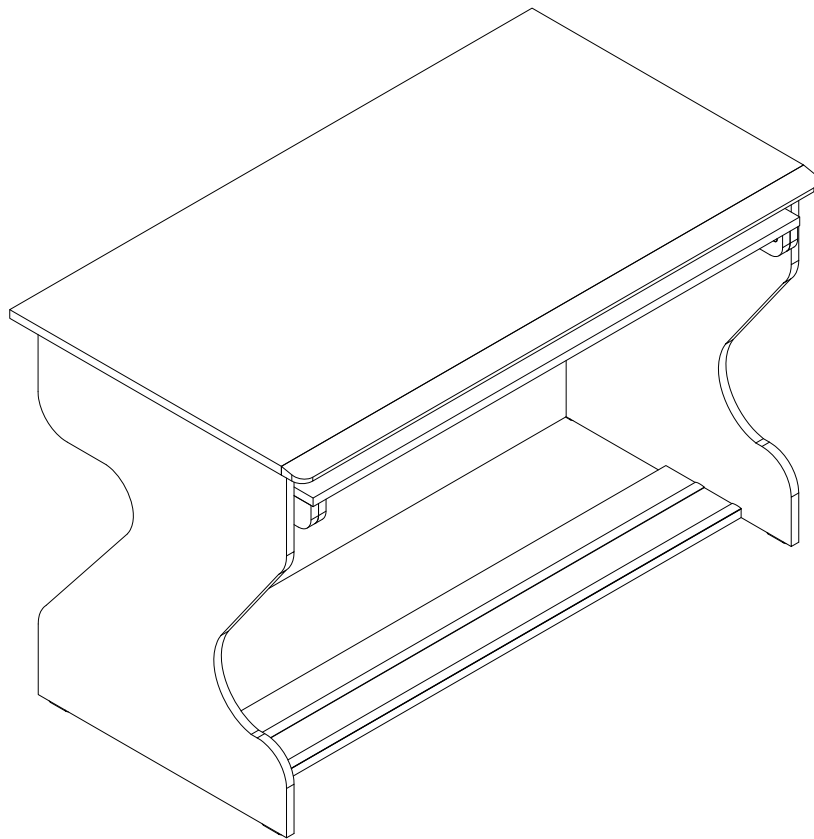


Zaor[®]

UPGRADE YOUR SPACE



Miza Junior Flex **Assembly Manual**

Assembly Manual

Thanks for choosing a piece of furniture from Zaor. Before you can enjoy the use of it you need to build it. We tried to put all the explanations necessary for a safe build, when in doubt please get in touch or check out our Youtube channel where we are putting more and more assembly videos to help you with this important task. Enjoy!

General technique for putting together Zaor desks

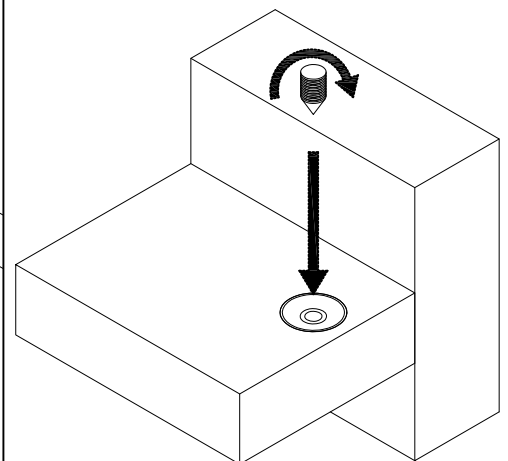
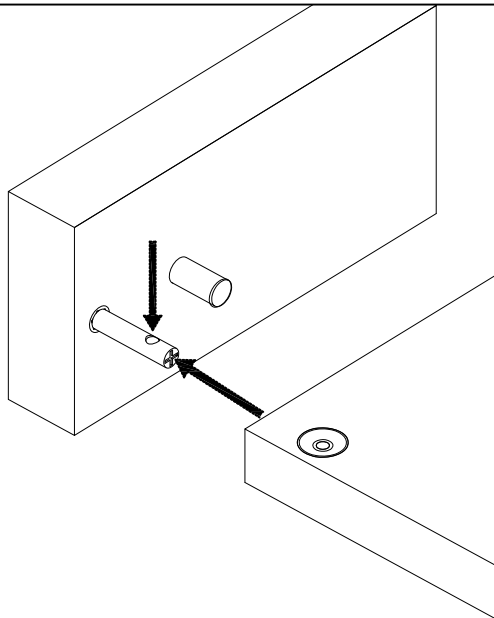
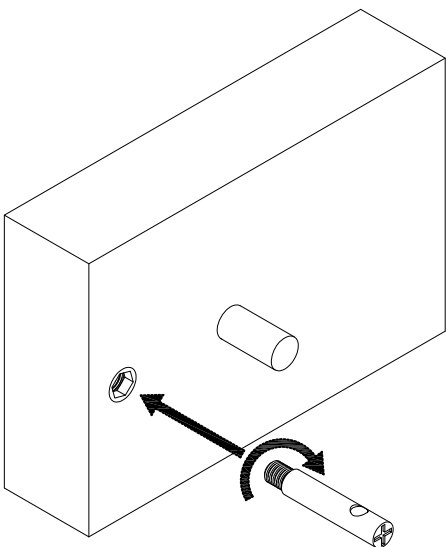
The assembly of your desk uses special kits.
Here's how to use them

- 1) On the piece with the threaded insert(s) (A), put in the system bolt(s) and tighten making sure to align the hole in the system bolt at a 90° angle.

Please note that the system bolt may have a little slack in this position, which is fine!

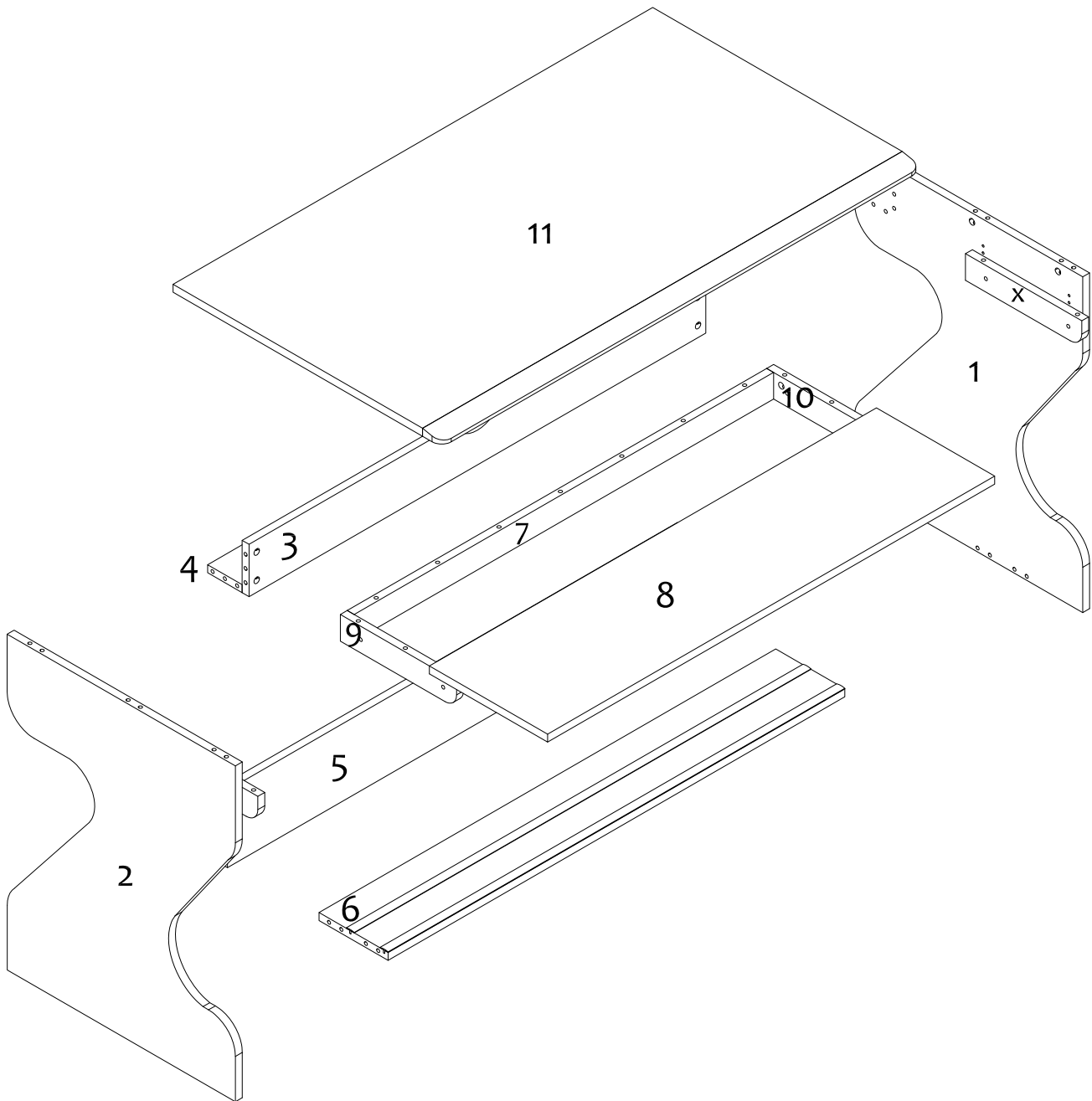
- 2) Ensure that the hole in the bolt aligns with the opening in the other piece to be able to put in the safety screw.

- 3) In each hole in the second piece, put in a cone shaped safety screw and tighten with a cross (philipps) screw driver - without forcing. The 2 parts will now be safely attached.



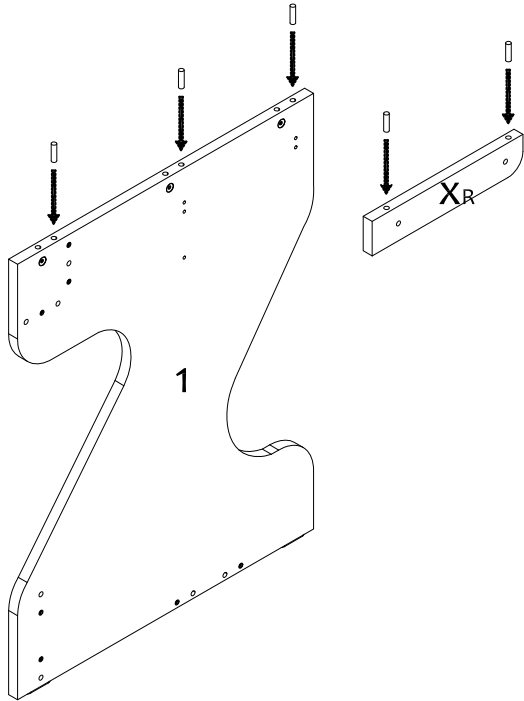
Assembly Manual

Unpack the parts carefully (do not use a cutter on the foam wrapping, as you might damage the surface) and set up so that you can see the part numbers clearly. In the big box you should find a small cardboard box with all the screws and bolts for assembly.

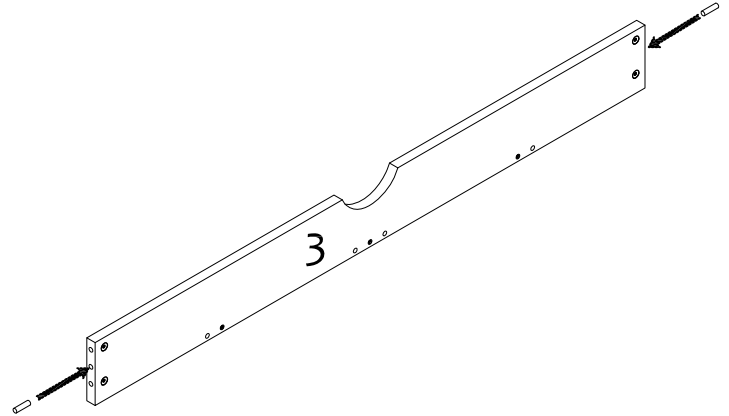


Here you have an exploded view of the whole desk and how it is supposed to come together. We use high quality furniture assembly components from renowned EU manufacturers. Please, never use force. These parts should come together easily, in case of doubt check the manual again or contact support.

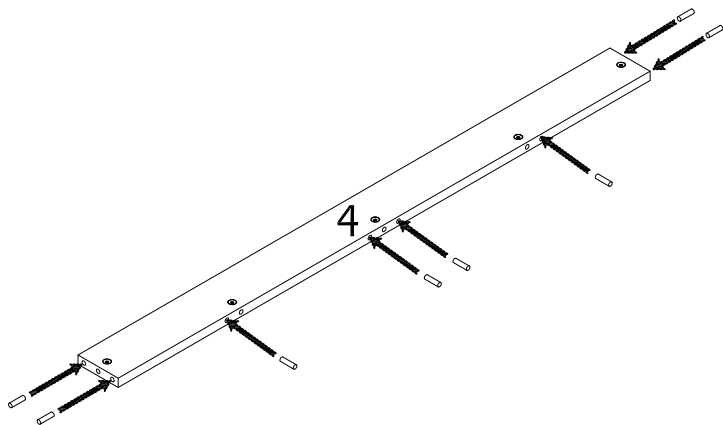
Assembly Manual



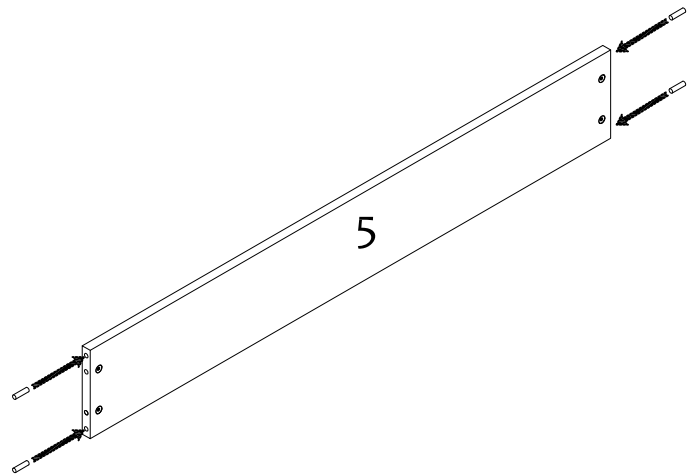
Step 1 Place the wooden dowels in the indicated holes and with the help of a small hammer push them all the way down (about half the dowel should disappear inside the hole).



Step 2

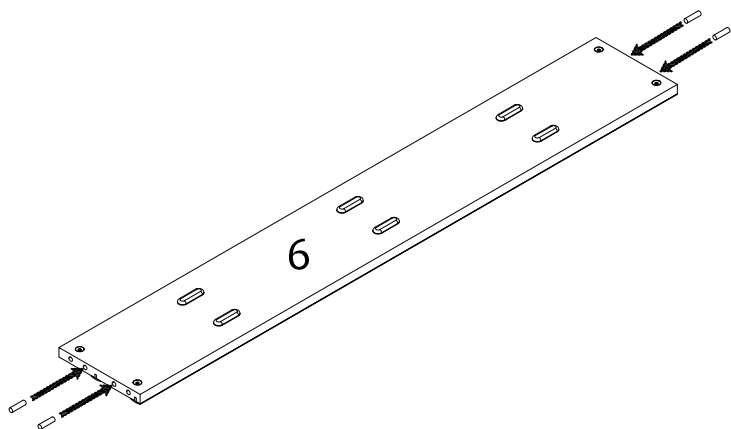


Step 3

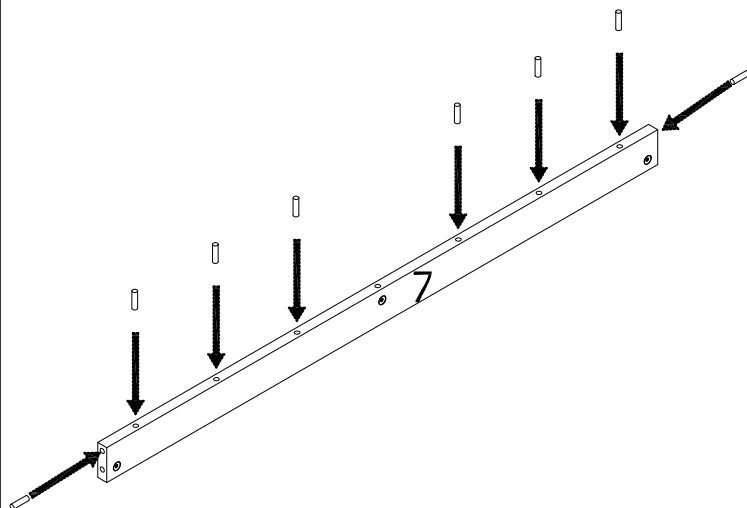


Step 4

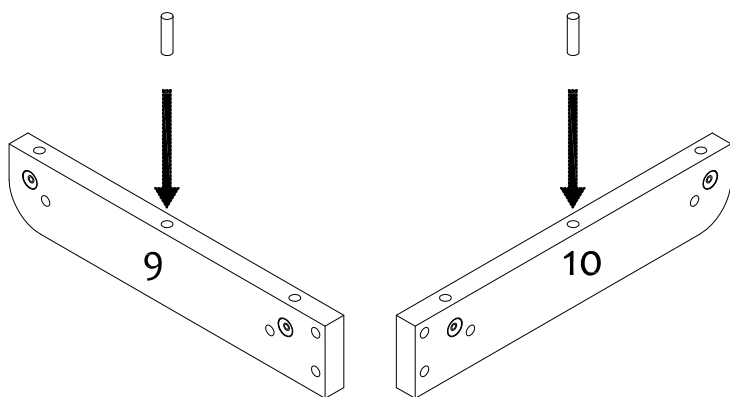
Assembly Manual



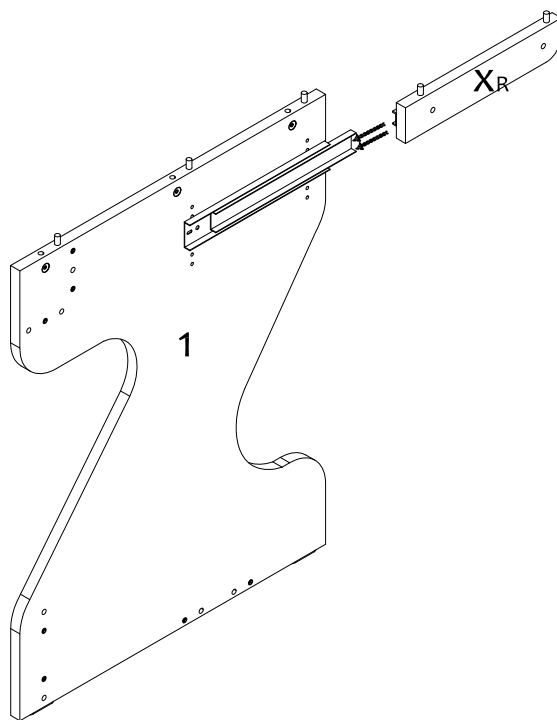
Step 5



Step 6

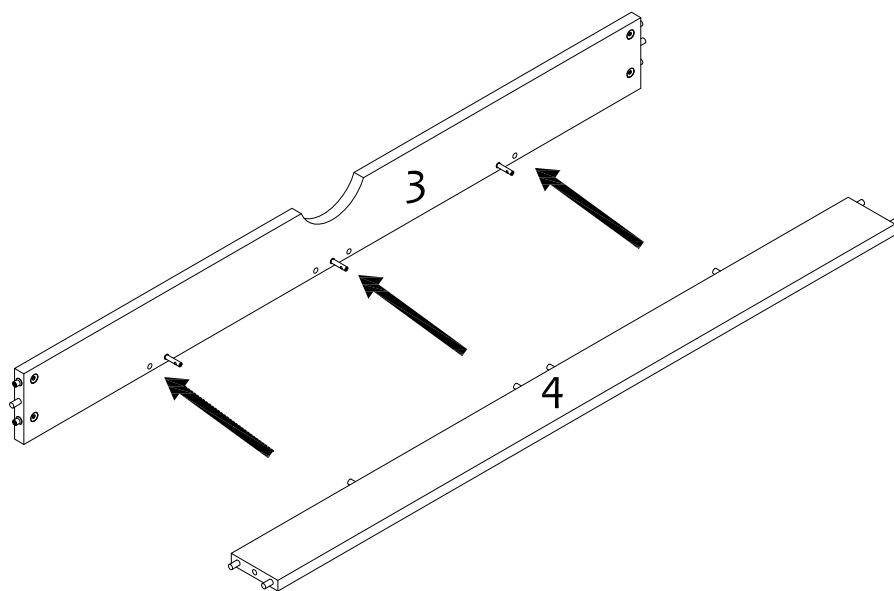


Step 7

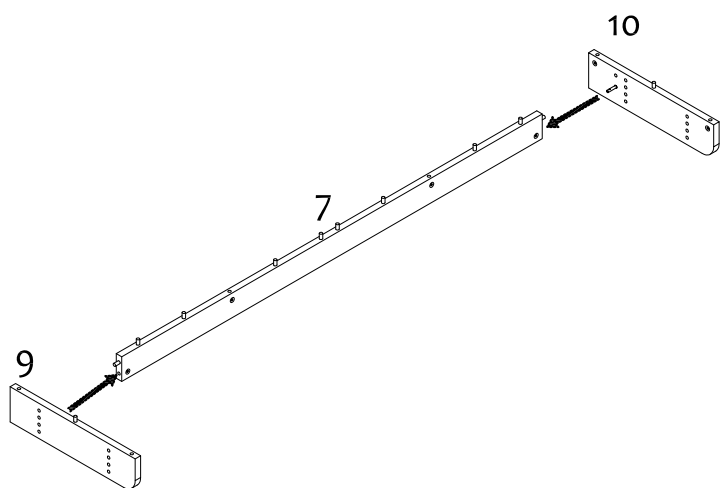


Step 8 Add panel X to the sidepart n°1 using the drawer slides that are pre-installed in these 2 parts. Do not use force. Repeat the same operation on the second sidepart n° 2.

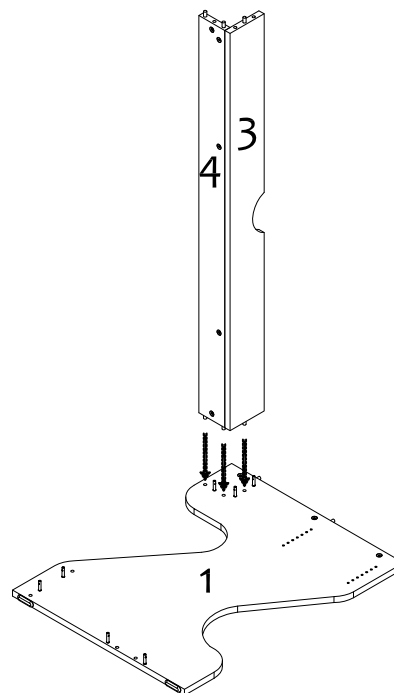
Assembly Manual



Step 9 Join panels n°3 and n°4. Attach, using the system bolts that you mount on the threaded inserts in panel n°3. Adjust so they are pointing such that holes can be seen when inserted into panel n°4 (no need to tighten them). Use the small slanted screws to tighten the connection between the two panels. Proceed likewise for the other connections.

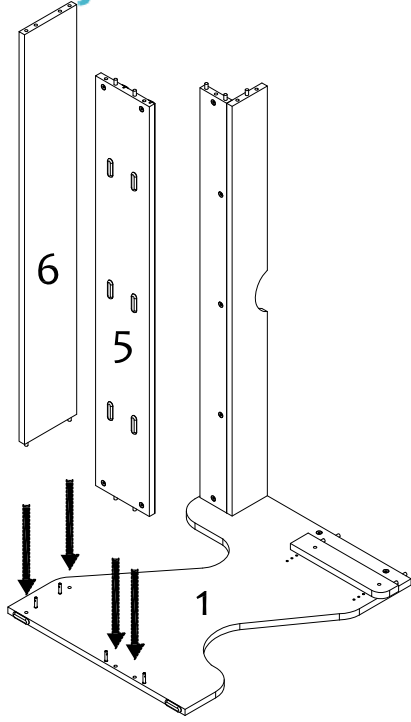


Step 10
Join panels n° 9 and n° 10 to 7. Attach as step n°1.

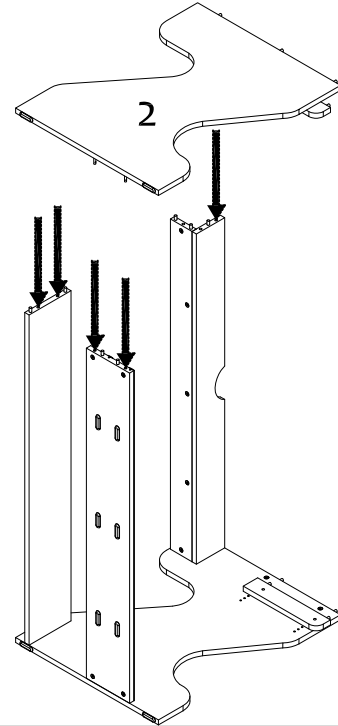


Step 11
Join panels n° 4 and n° 3 to 1. Attach as step n°1.

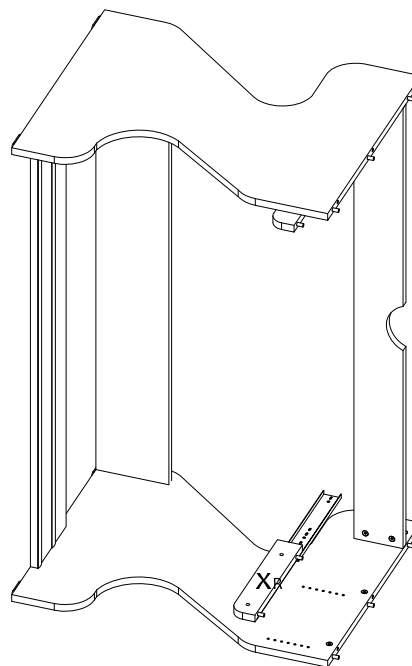
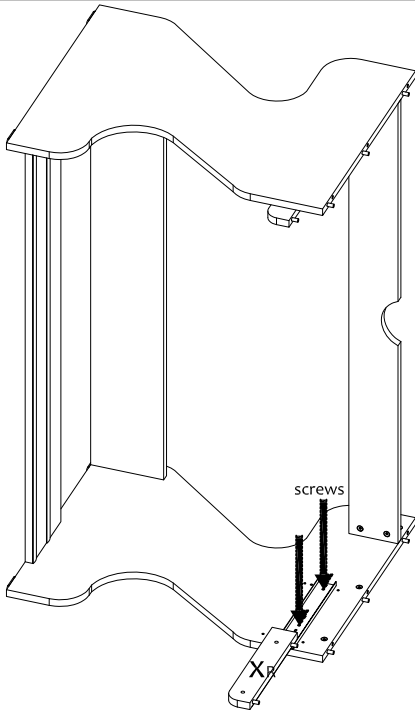
Assembly Manual



Step 12 Add panels n°5 and n°6 attach as in step n°1.



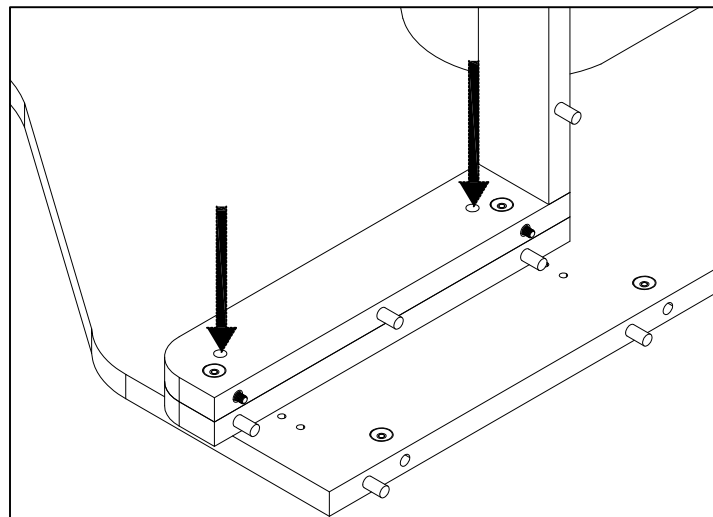
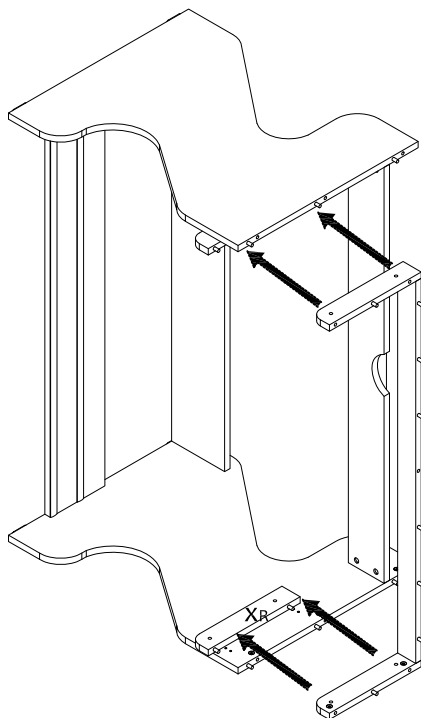
Step 13 Add the system bolts to n°2 where you see threaded inserts. Watch the direction of the holes! No need to tighten. Add side part n°2 from the top, align and attach as step n°1.



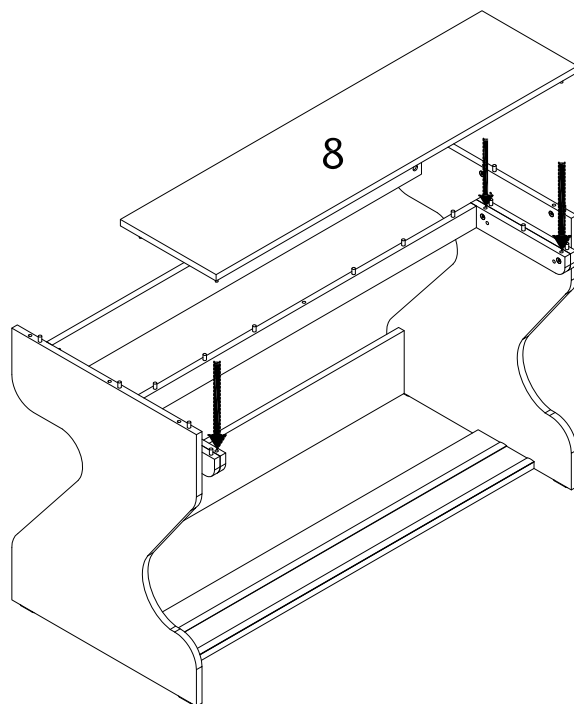
- 1° 20 mm
- 2° 36 mm
- 3° 52 mm
- 4° 68 mm
- 5° 84 mm
- 6° 100 mm
- 7° 116 mm

Step 14 The MIZA Junior has 7 steps to adjust the height of the keyboard drawer. If the height is fine, just proceed to the next steps. If you want to change the height, place the desk as shown and remove the drawer slide with a screwdriver as shown and screw it in the desired position, making sure that both sides are at the same height!

Assembly Manual

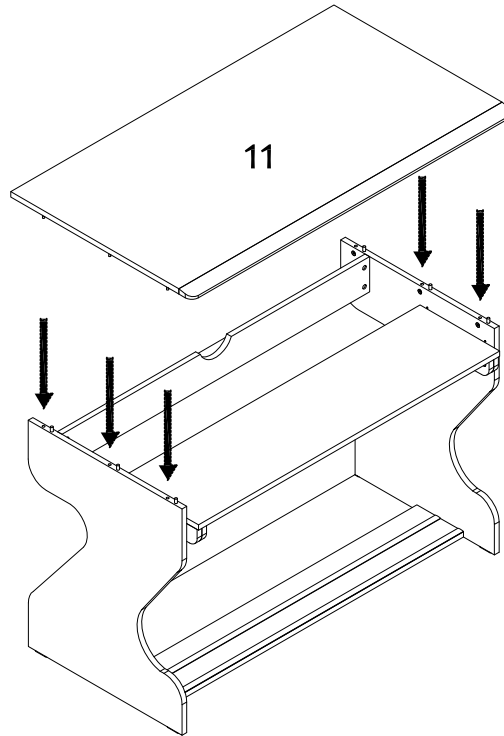


Step 15 Take the assembly from step 2 (parts 7, 9 + 10) and place it between the two sideparts (XR + XL). Attach with machine screws (A) on both sides.



Step 16 After carefully lifting upright the assembly, place the drawer tray (n° 8) on top of parts 7, 9 + 10 and fix using kits as described earlier. Make sure the pull-out mechanism works smoothly.

Assembly Manual



Step 17 Finally add the desktop n°11 using system bolts and slanted screws as before.

MATERIALS USED:
Melaminated chip board, solid wood.
PACKING LIST
- N° 13 wooden parts;
- N° 04 M6x30 screws (A);
- N° 30 assembly kits;
- N° 38 wooden dowels;
- N° 1 hex wrench

INSTRUCTION FOR USE AND CLEANING

- clean with a soft cloth, slightly humid or specific products for wood or lacquer;
- avoid the use of abrasive cleaners.

YOU NEED 2 PEOPLE TO ASSEMBLE THIS DESK!