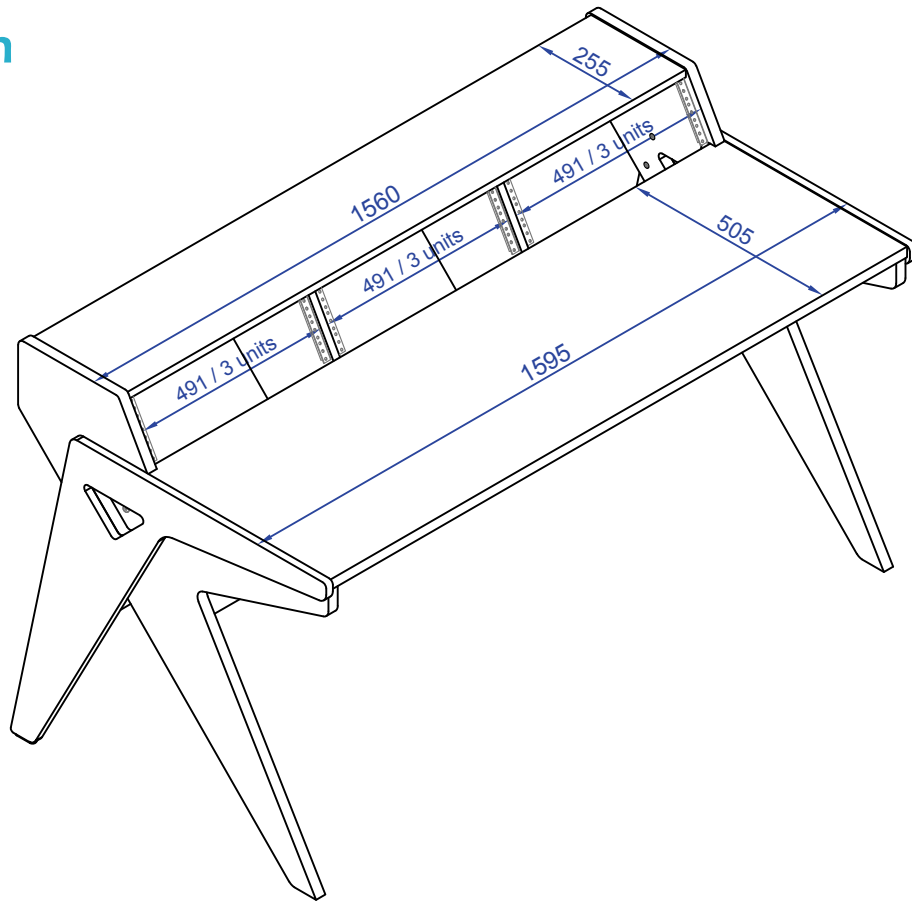
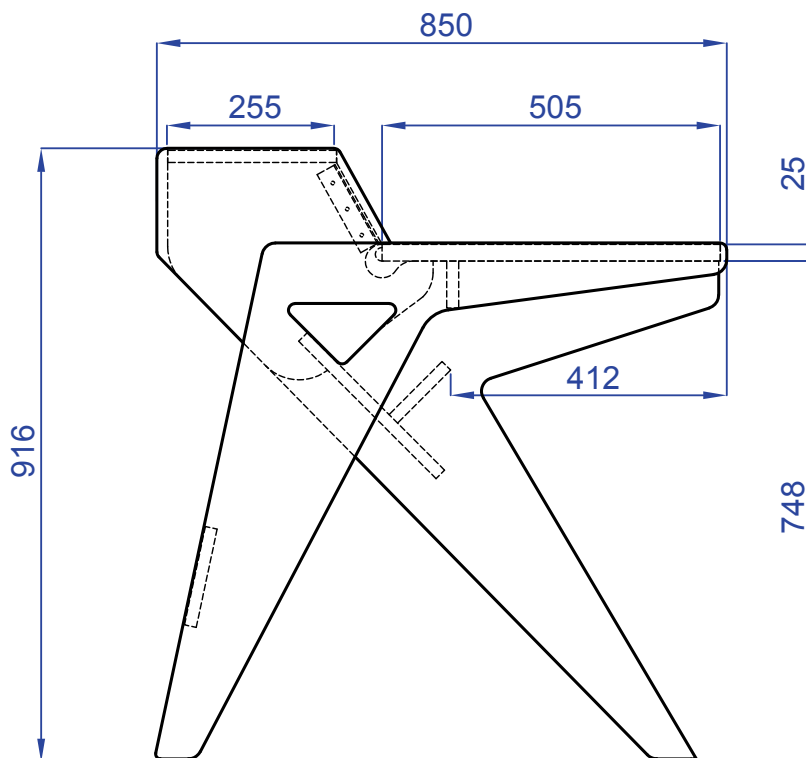


Technical Plan

Iso View (mm)



Side View (mm)



Technical Plan

Vision W + Vision K (mm)

