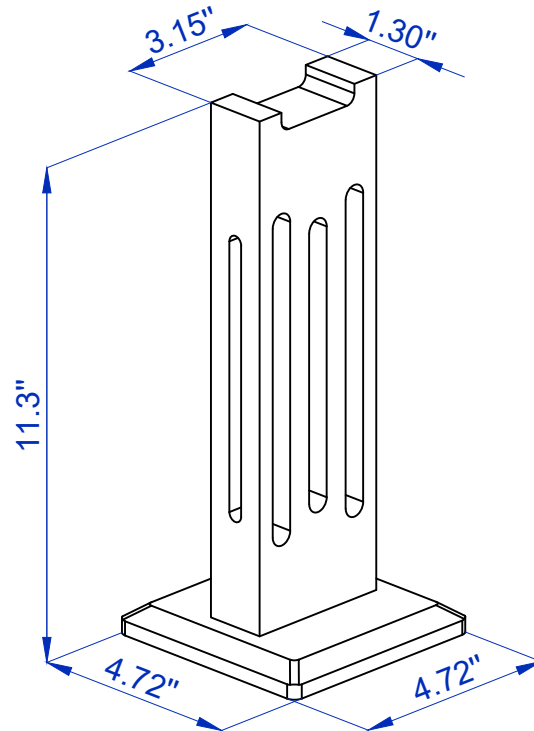
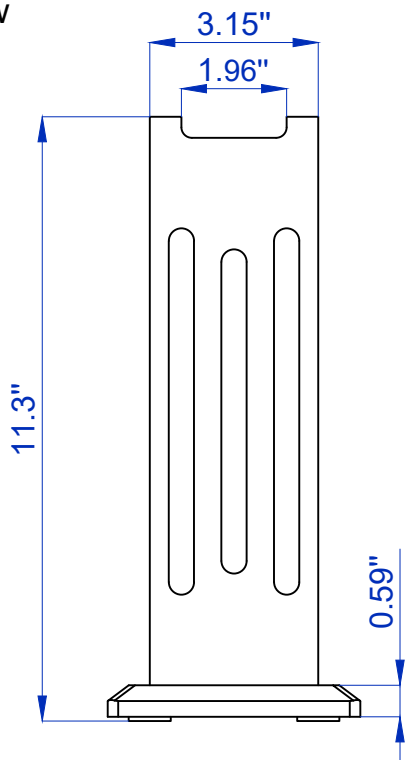


Technical Plan (inch)

Iso View



Front View



Lateral View

